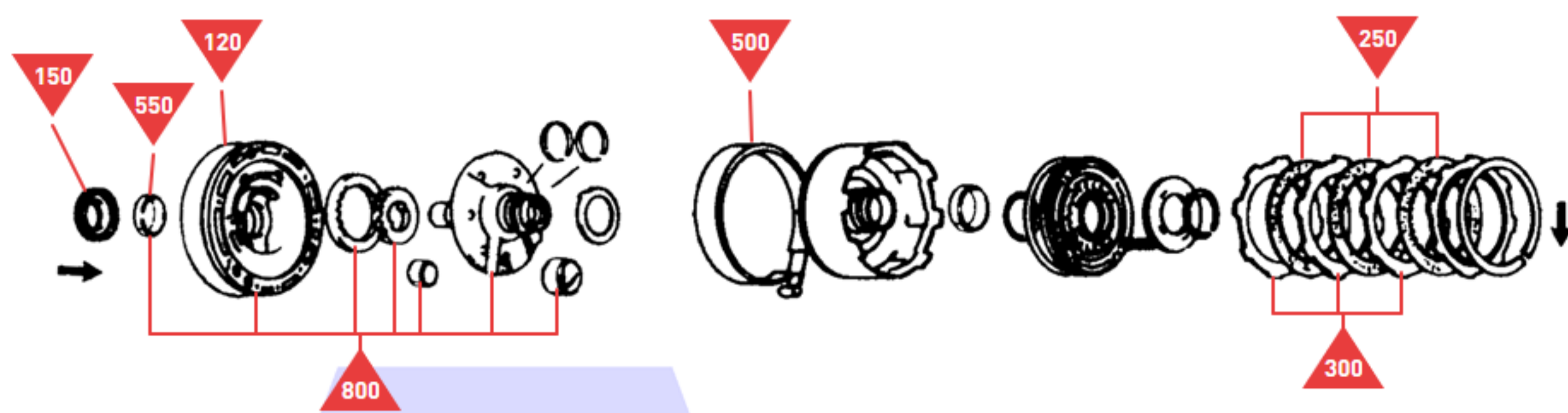
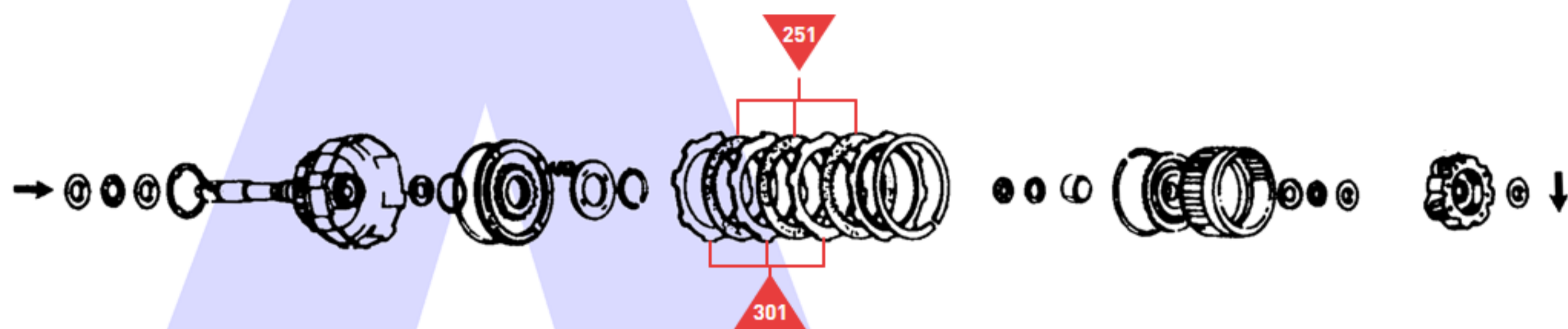


A



Direct Clutch

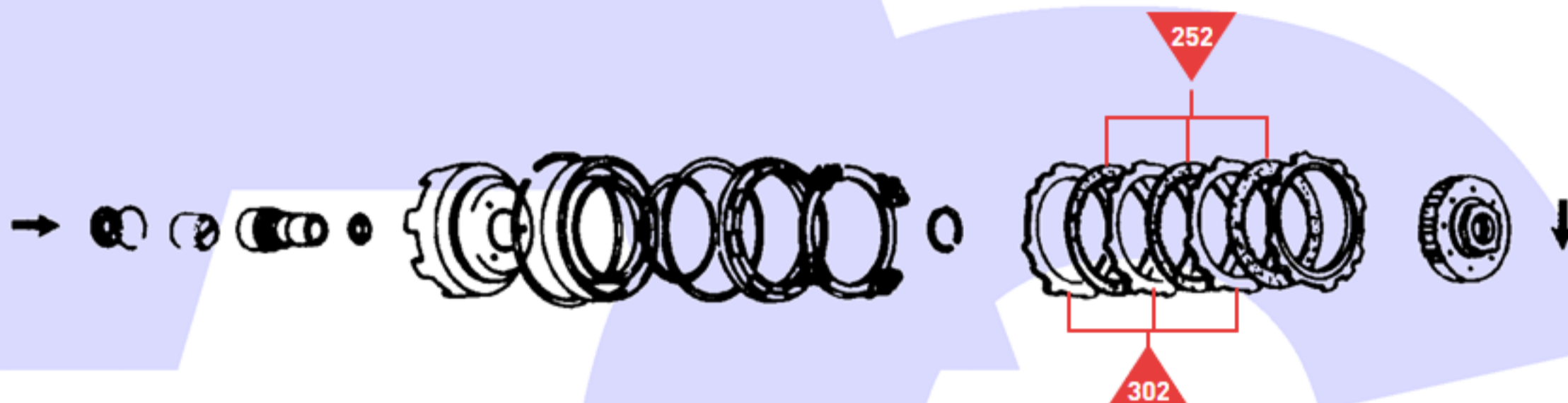
B



Forward Clutch

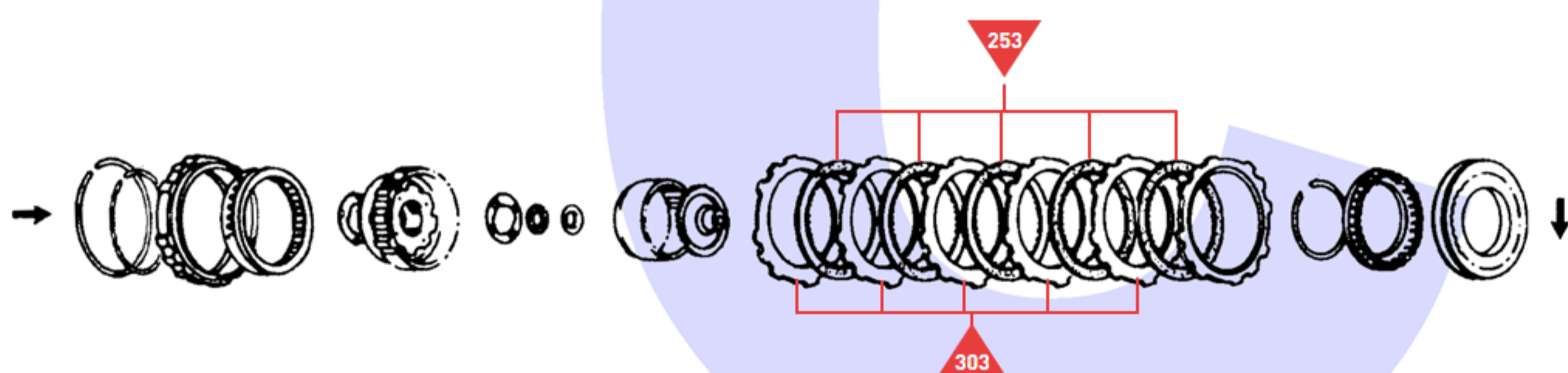
Front Planetary

C



Second Brake

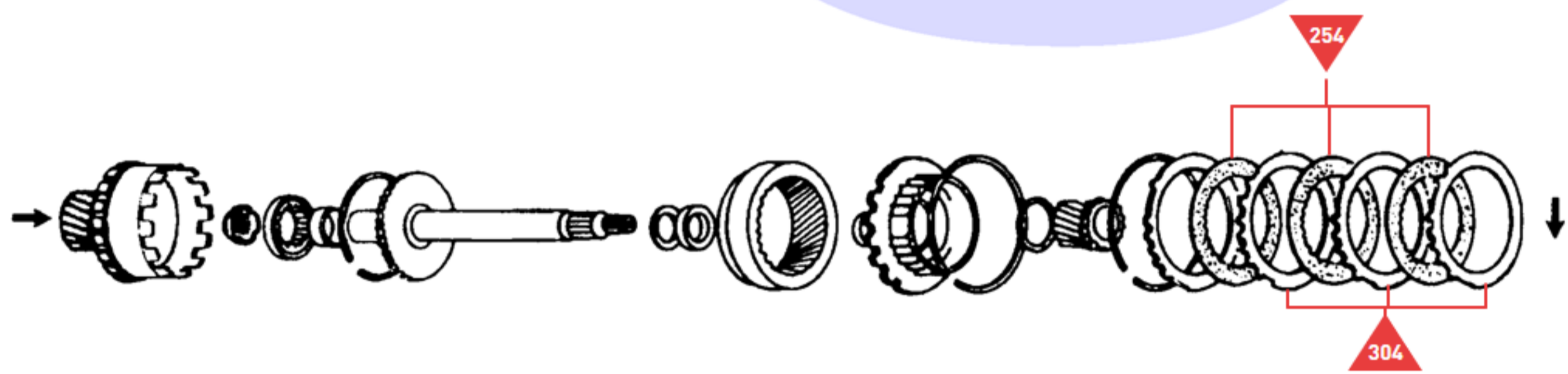
D



Rear Planetary

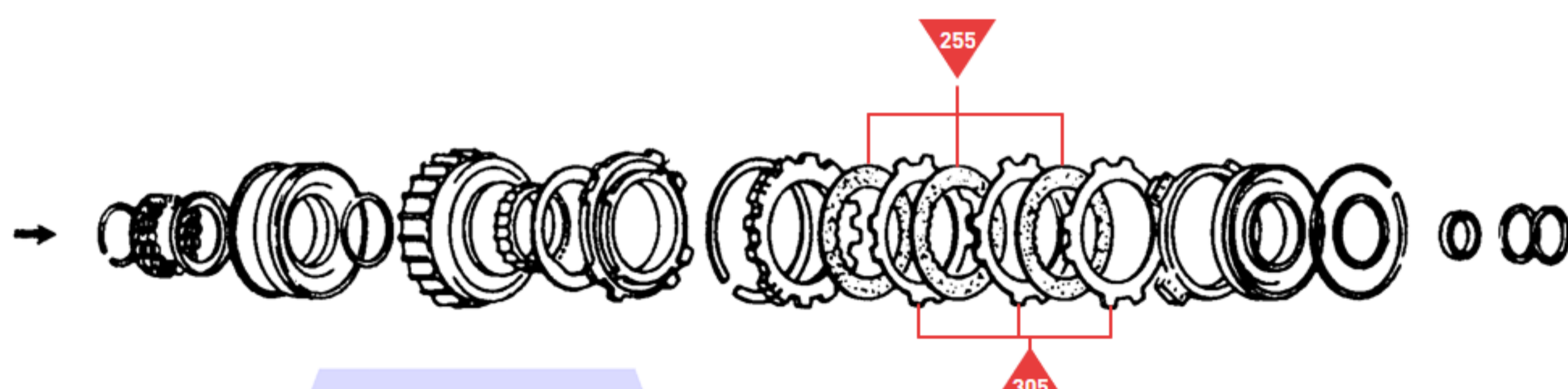
Low & Reverse Brake

E



Underdrive Clutch

F



Underdrive Brake

H

