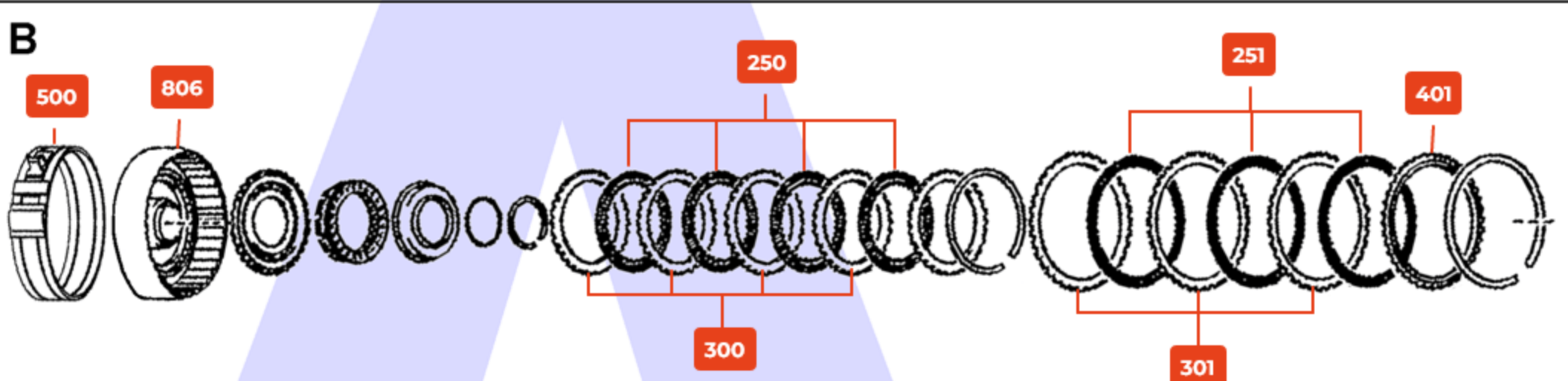
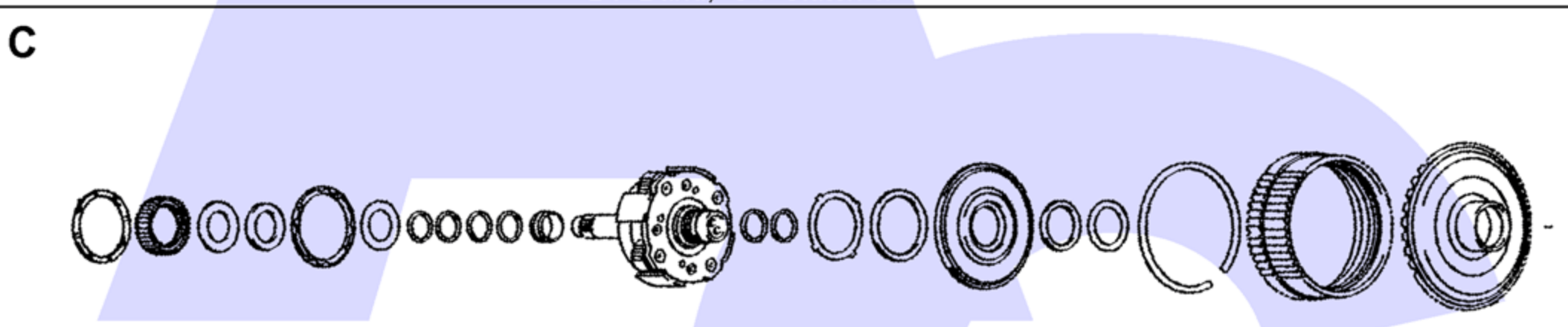


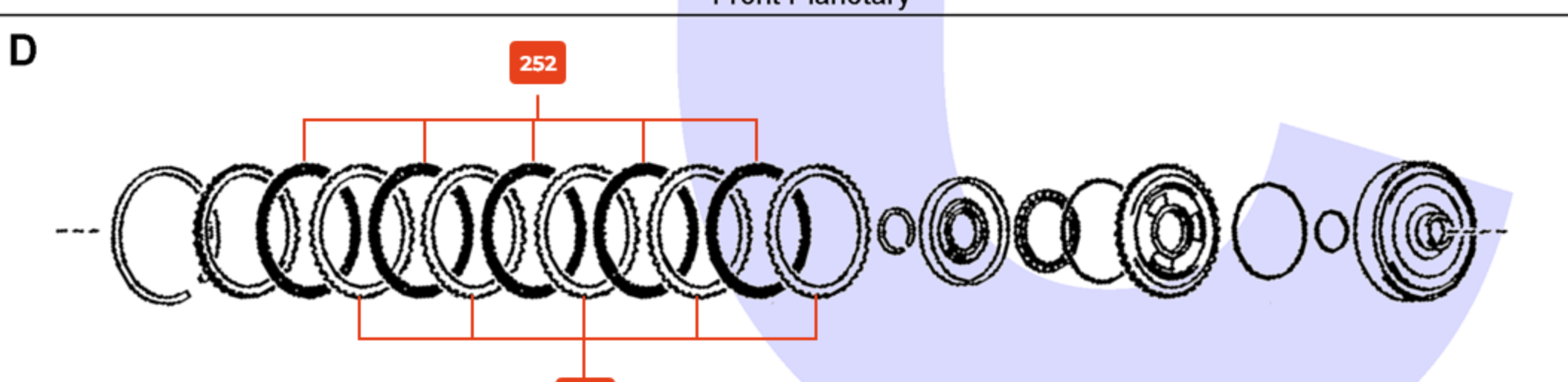
Torque Converter & Oil Pump



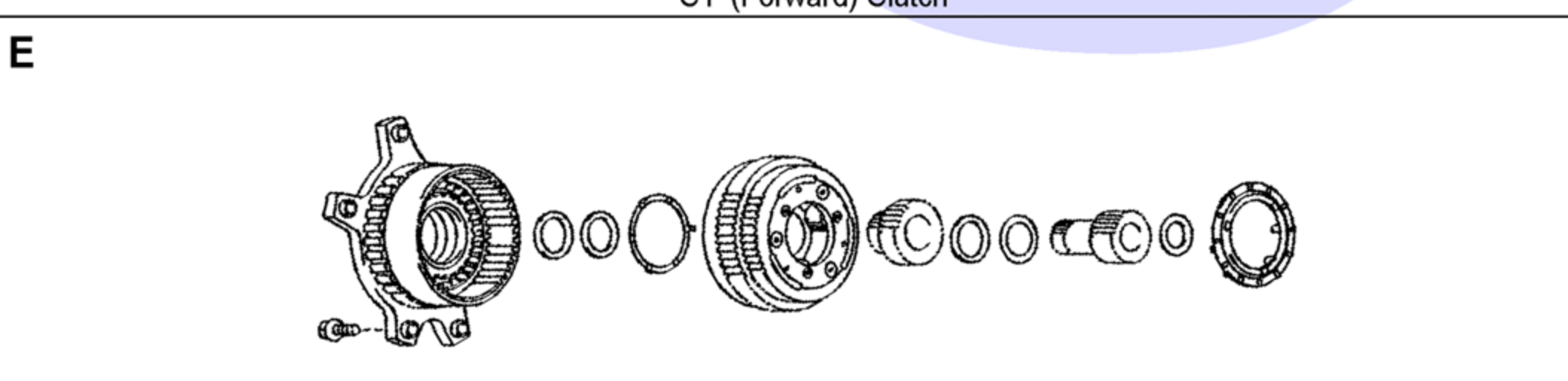
'B1' Band, 'C4' Clutch & 'C3' Clutch



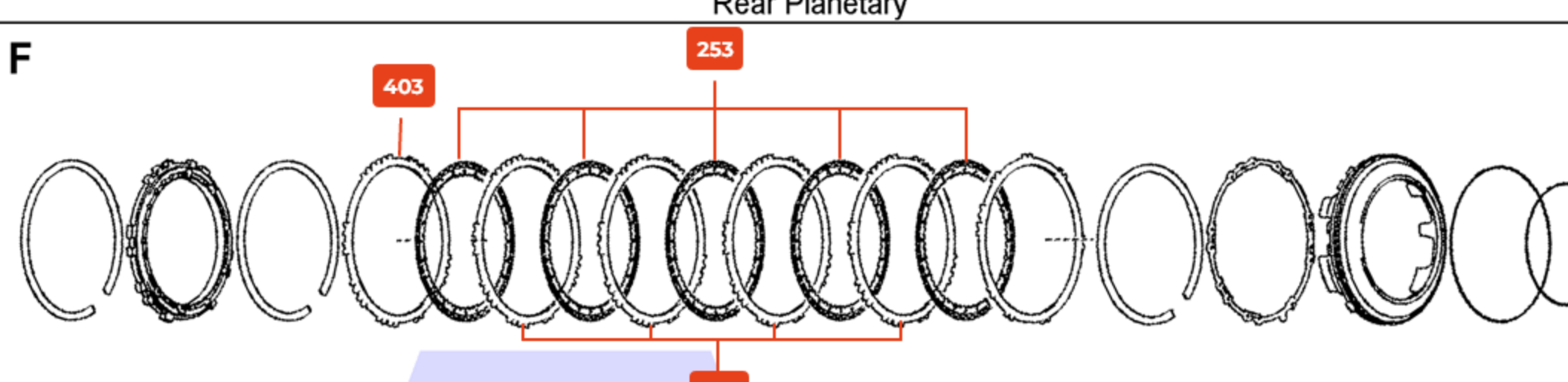
Front Planetary



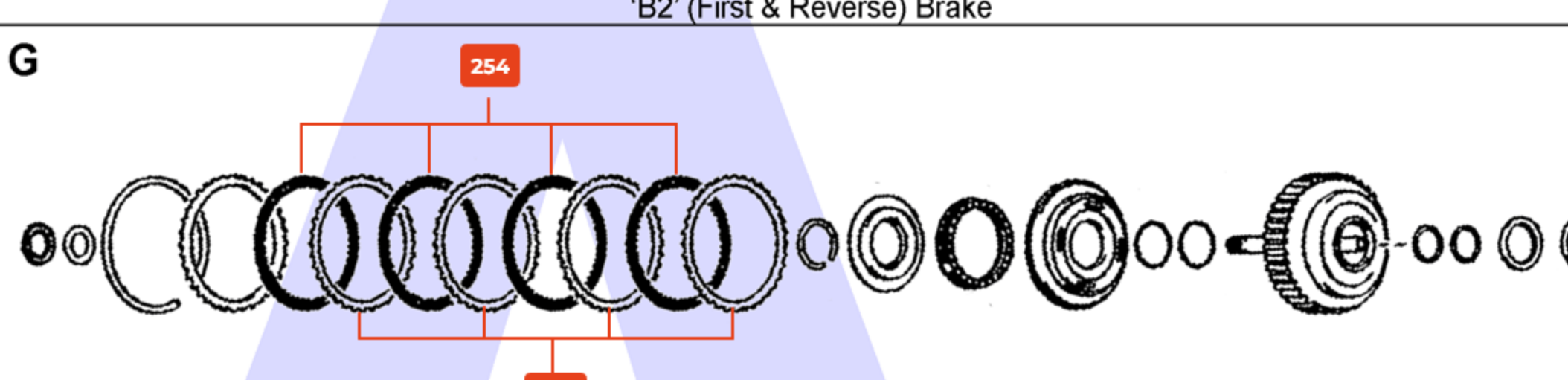
'C1' (Forward) Clutch



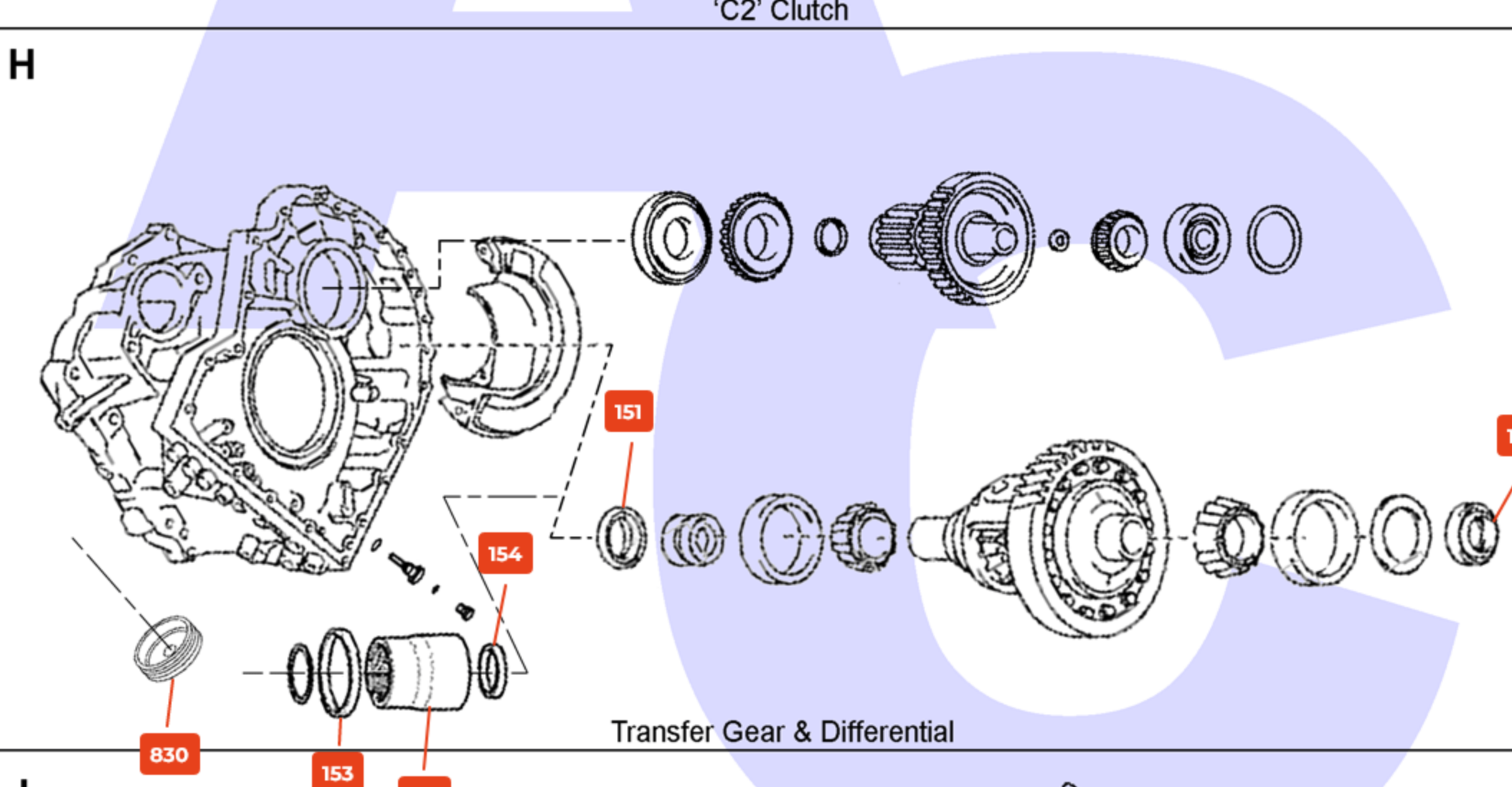
Rear Planetary



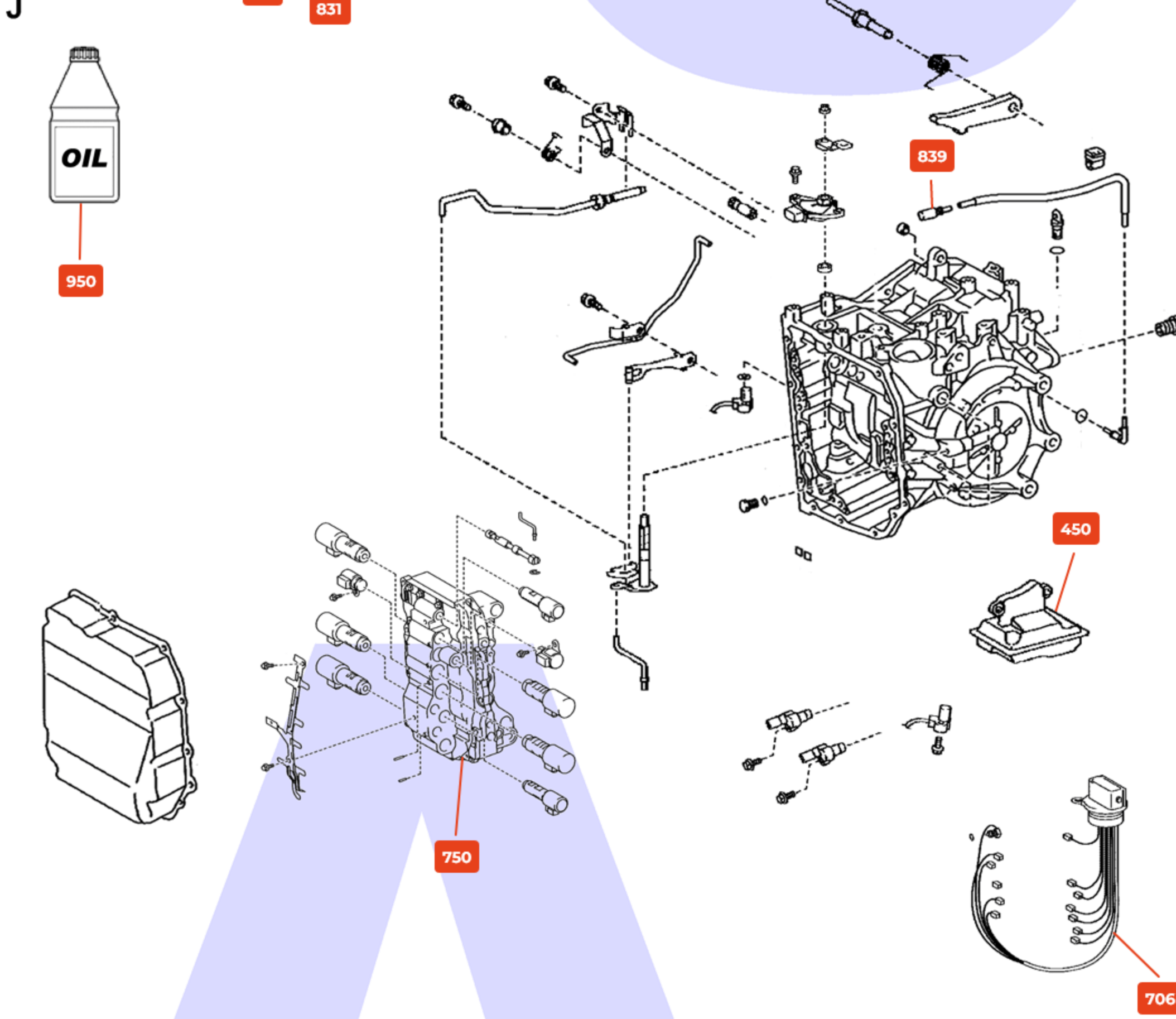
'B2' (First & Reverse) Brake



'C2' Clutch



Transfer Gear & Differential



Main Case, Valve Body Etc.