

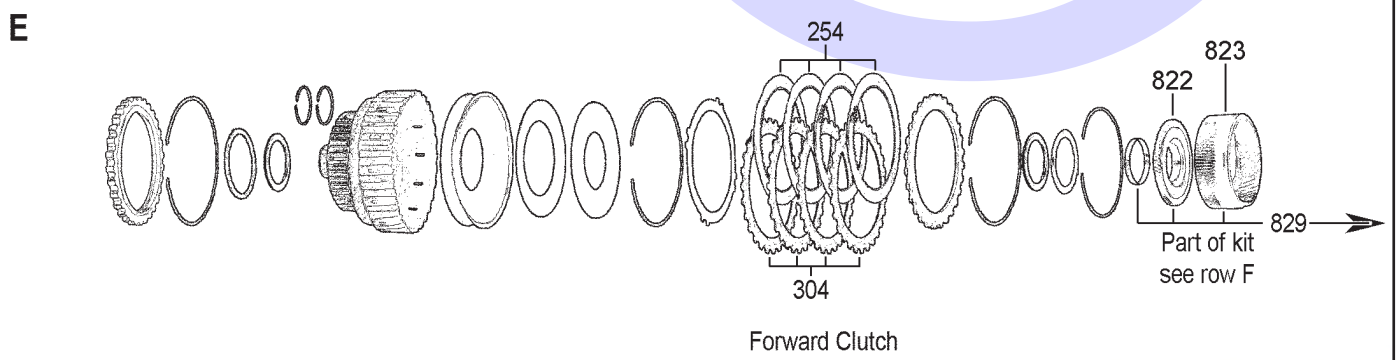
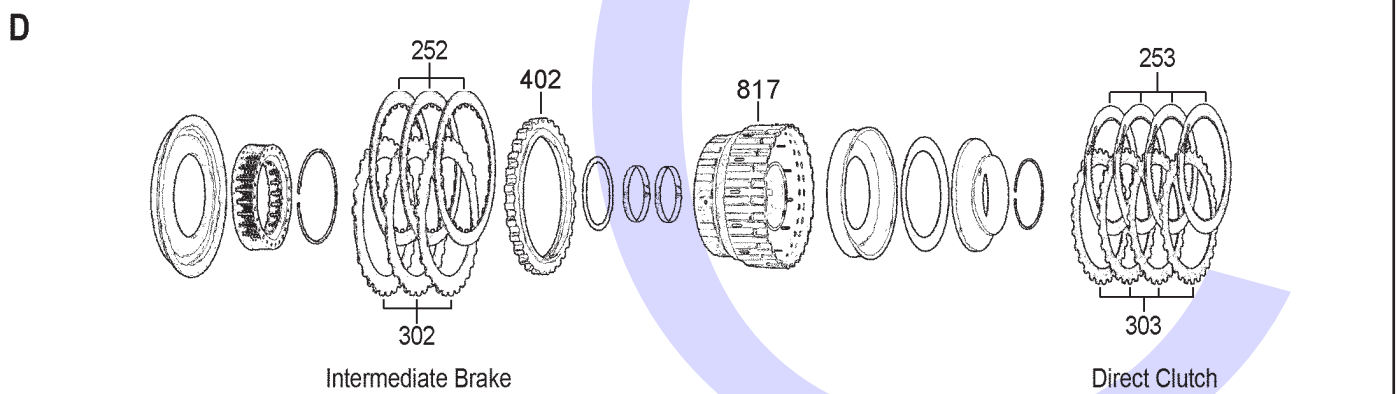
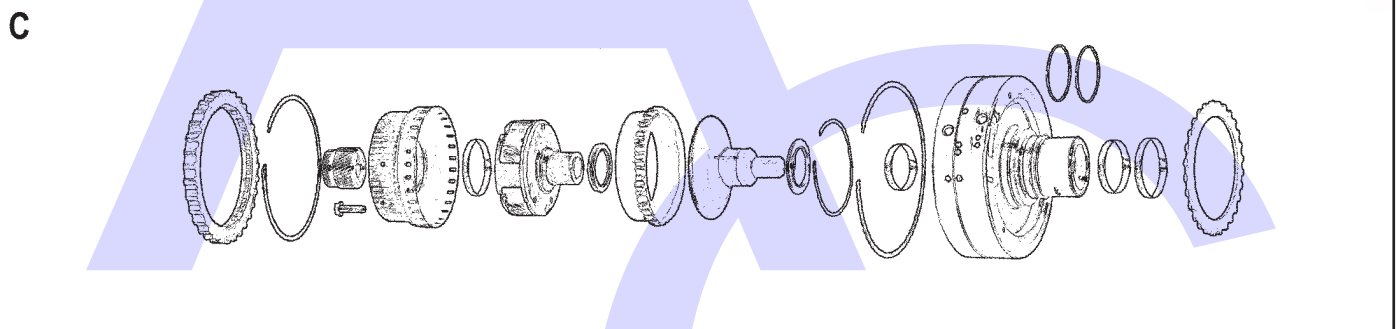
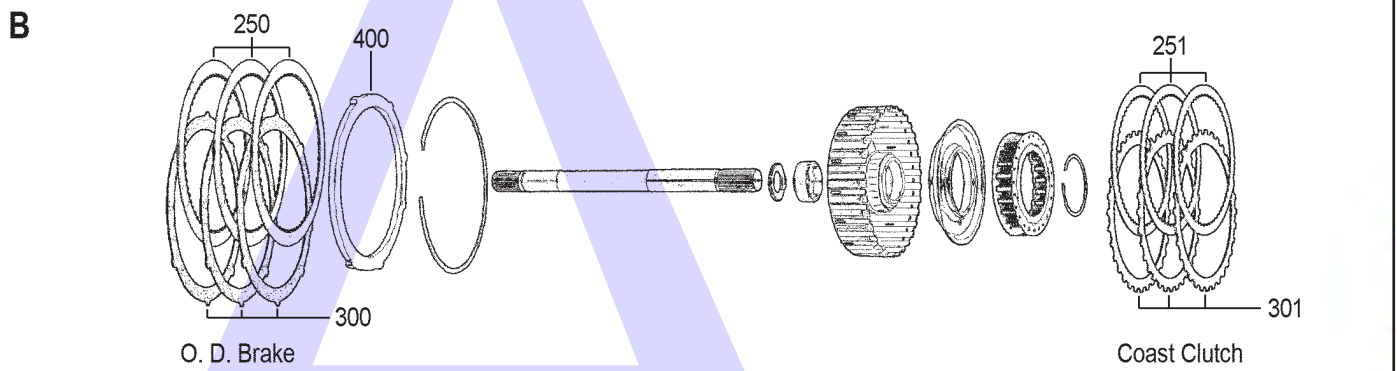
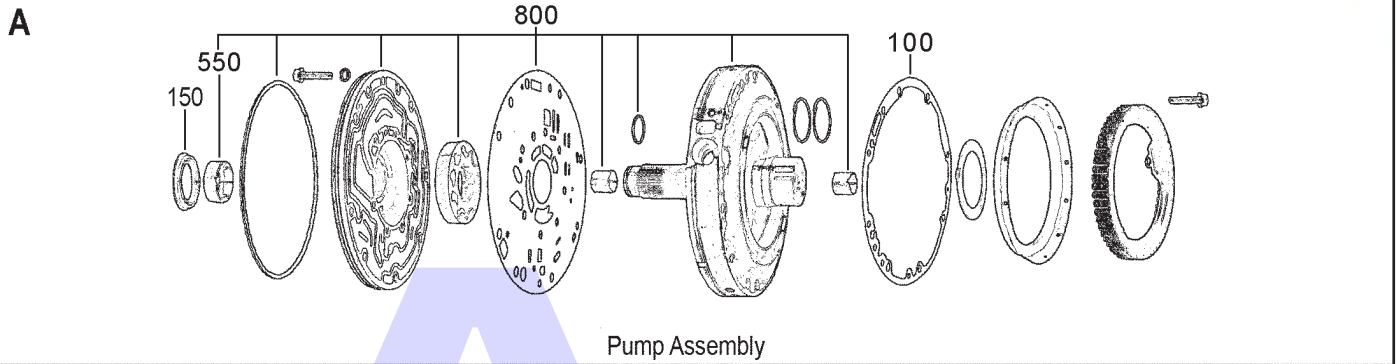
# 5R110W (TorqShift) 2003- 5 Speed RWD (Electronic Control)



AUTOMATIC CHOICE



THE AUTOMATIC TRANSMISSION PARTS WAREHOUSE



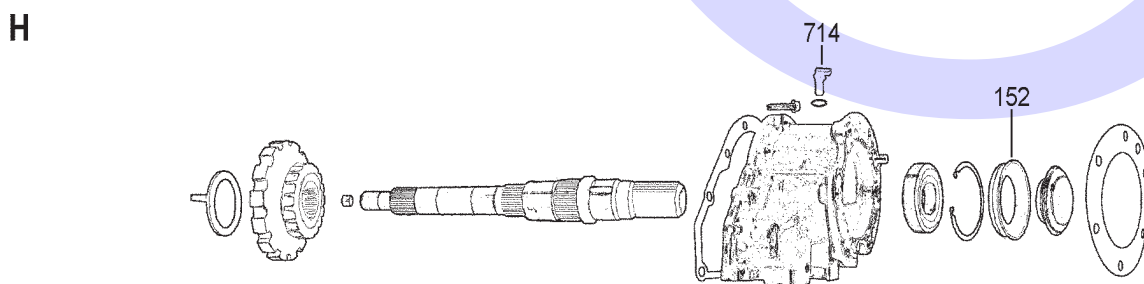
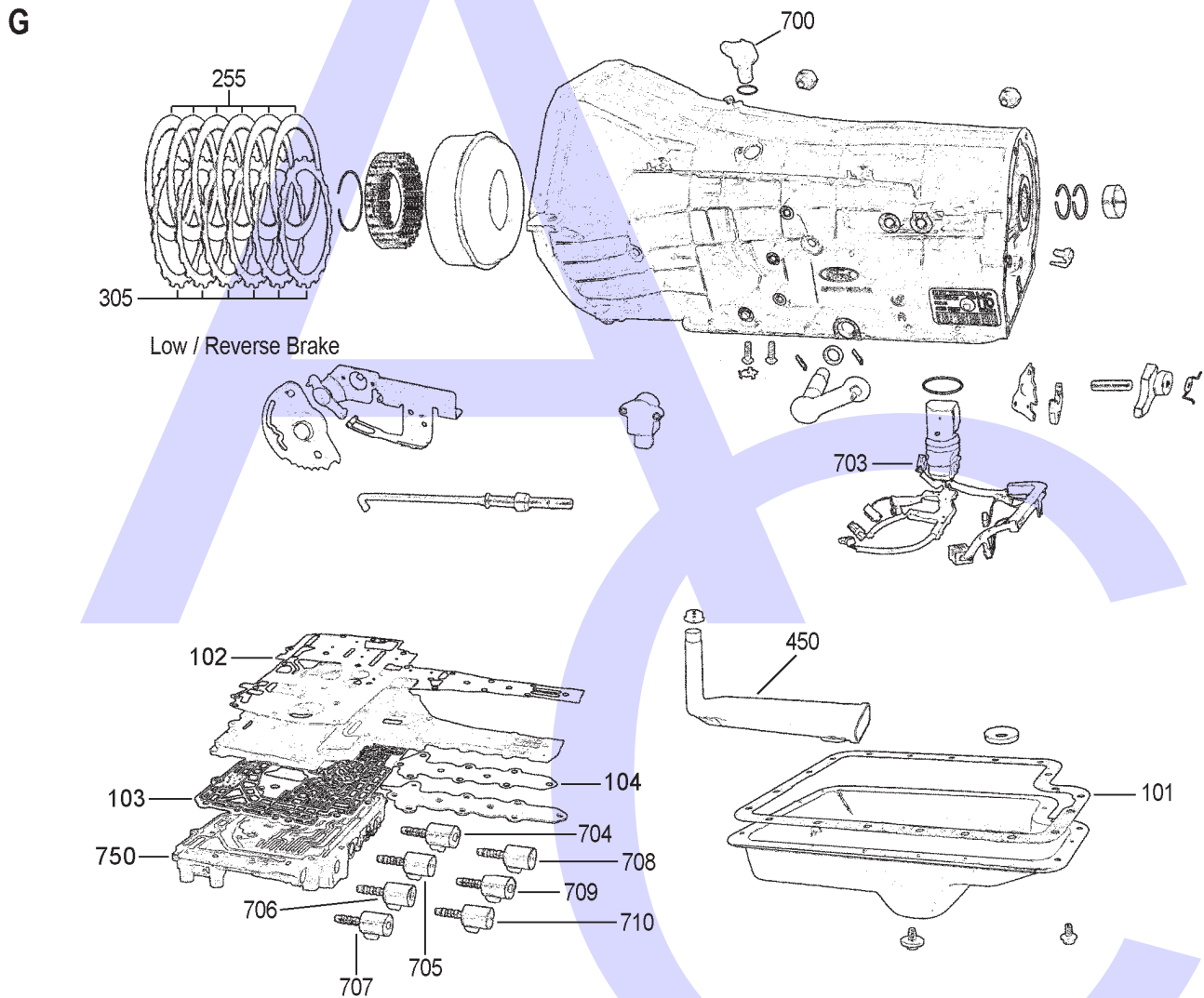
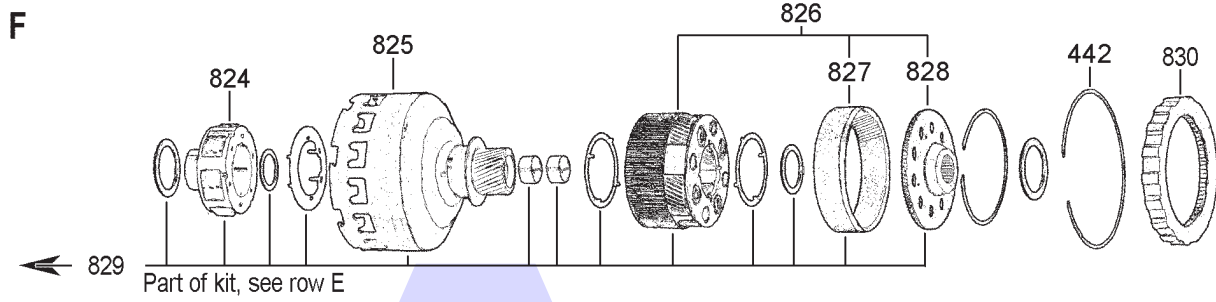
# 5R110W (TorqShift) 2003- 5 Speed RWD (Electronic Control)



AUTOMATIC CHOICE



THE AUTOMATIC TRANSMISSION PARTS WAREHOUSE



# 5R110W (TorqShift) 2003- 5 Speed RWD (Electronic Control)



AUTOMATIC CHOICE



THE AUTOMATIC TRANSMISSION PARTS WAREHOUSE

ILL NO.	DESCRIPTION	YEARS	QTY	PART NO
<b>KITS</b>				
Kit	Overhaul (Transtec) (With Bonded Pistons) .....	03-ON	1	5R110W.OHK01
<b>GASKETS</b>				
100A	Pump to Case .....	03-ON	1	5R110W.GAS06
101G	Oil Pan .....	03-ON	1	E40D.GAS02
102G	Valve Body to Case (White Stripe) .....	03-ON	1	5R110W.GAS02
102G	Valve Body to Case (No Stripe) .....	03-ON	1	5R110W.GAS05
103G	Solenoid Body/Filter Screen .....	03-ON	1	5R110W.GAS03
104G	Valve Body Support Plate .....	03-ON	1	5R110W.GAS04
<b>RUBBER COMPONENTS</b>				
<b>METAL CLAD SEALS</b>				
150A	Oil Pump .....	03-ON	1	5R110W.MCS01
152H	Rear Seal (4WD & Bolt on Yoke) .....	03-ON	1	5R110W.MCS02
<b>MOULDED PISTONS</b>				
<b>SEALING RINGS</b>				
<b>FRICTION PLATES</b>				
250B	Overdrive Brake (220mm OD x 2.00mm x 32T) ..	03-ON	3	E40D.FRP10
251B	Coast Clutch (154mm OD x 2.00mm x 59T) ..	03-ON	3	5R110W.FRP01
252D	Intermediate Brake (198mm OD x 2.00mm x 24T) ..	03-ON	3	5R110W.FRP03
252D	Intermediate Brake (198mm OD x 2.00mm x 96T) ..	05-ON	3	5R110W.FRP08
253D	Direct Clutch (159mm OD x 2.00mm x 48T) ..	03-ON	4	5R110W.FRP04
254E	Forward Clutch (161mm OD x 2.00mm x 90T) ..	03-ON	4	5R110W.FRP05
254E	Forward Clutch (Hardened Core) (161mm OD x 2.00mm x 76T) ..	05-ON	4	5R110W.FRP07
255G	Low / Reverse Brake (174mm OD x 2.00mm x 72T) ..	03-ON	6	E40D.FRP08
<b>STEEL PLATES</b>				
300B	Overdrive Brake (190mm ID x 2.00mm x 6T) .....	03-ON	3	E40D.STP02
301B	Coast Clutch (149mm ID x 2.00mm x 32T) .....	03-ON	3	5R110W.STP01
302D	Intermediate Brake (165mm ID x 3.17mm x 26T) .....	03-ON	3	5R110W.STP03

ILL NO.	DESCRIPTION	YEARS	QTY	PART NO
<b>STEEL PLATES Cont...</b>				
302D	Intermediate Brake (165mm ID x 2.95mm x 26T) ....	05-ON	3	5R110W.STP07
303D	Direct Clutch (130mm ID x 2.03mm x 25T) ....	03-ON	4	5R110W.STP04
304E	Forward Clutch (130mm ID x 2.03mm x 25T) ....	03-ON	4	5R110W.STP04
304E	Forward Clutch (136.6mm ID x 2.00mm x 28T) .	05-ON	4	5R110W.STP08
305G	Low / Reverse Brake (147mm ID x 1.72mm x 18T) ....	03-ON	6	E40D.STP07
<b>PRESSURE PLATES</b>				
400B	Overdrive Brake .....	03-ON	1	5R110W.PP02
402D	Intermediate Brake (29 Teeth, 8.89mm) .....	05-ON	1	5R110W.PP04
	(29 Teeth, 13.97mm) .....	05-ON	1	5R110W.PP03
403E	Direct Clutch .....	05-ON	1	5R110W.PP05
404E	Forward Clutch (5.00mm x 130.00mm ID) .....	03-04	1	5R110W.PP05
404E	Forward Clutch (5.00mm x 136.50mm ID) .....	05-ON	1	5R110W.PP06
<b>SPRINGS &amp; CIRCLIPS</b>				
442F	Retaining Circlip (Heavy Duty) (Sonnax® <a href="#">Click here for Info</a> ) ...	03-ON	1	5R110W.CIR01
<b>FILTERS</b>				
450G	Pick Up Filter .....	03-07	1	5R110W.FIL01
450G	Pick Up Filter .....	08-ON	1	5R110W.FIL03
NI	In-Line Filter .....	03-07	1	5R110W.FIL02
NI	In-Line Filter .....	08-ON	1	5R110W.FIL04
<b>BUSHINGS</b>				
Kit	Bushing Kit .....	03-ON	1	5R110W.BK01
550A	Pump Bush .....	03-ON	1	E40D.BUS01
<b>THRUST WASHERS &amp; BEARINGS</b>				
<b>ELECTRICAL COMPONENTS</b>				
700G	Turbine Speed Sensor (TSS) & Intermediate Shaft Sensor (ISS) .....	03-ON	1	5R110W.ELE01
703G	Internal Wire Harness .....	03-ON	1	5R110W.ELE03
704G	Line Pressure Solenoid (PC-A) .....	03-ON	1	5R110W.SOL01
705G	Torque Converter Clutch Solenoid (TCC) .....	03-ON	1	5R110W.SOL02
706G	Shift Solenoid B (O.D. Clutch) (SSPC-B) .....	03-ON	1	5R110W.SOL02
707G	Shift Solenoid A (Coast Clutch) (SSPC-A) .....	03-ON	1	5R110W.SOL03
708G	Shift Solenoid C (Intermediate Brake) (SSPC-C) .....	03-ON	1	5R110W.SOL02
709G	Shift Solenoid D (Direct Clutch) (SSPC-D) .....	03-ON	1	5R110W.SOL03
710G	Shift Solenoid E (Low/Rev Brake) (SSPC-E) .....	03-ON	1	5R110W.SOL02
714H	Output Shaft Speed Sensor (OSS) .....	03-ON	1	5R110W.ELE02

