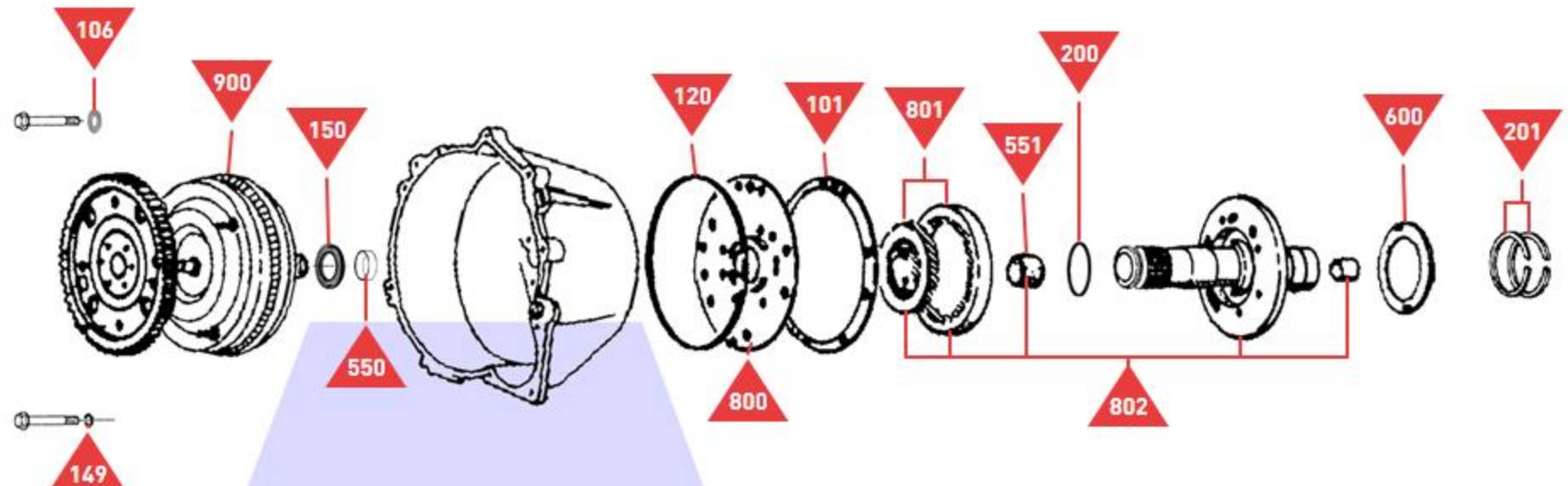
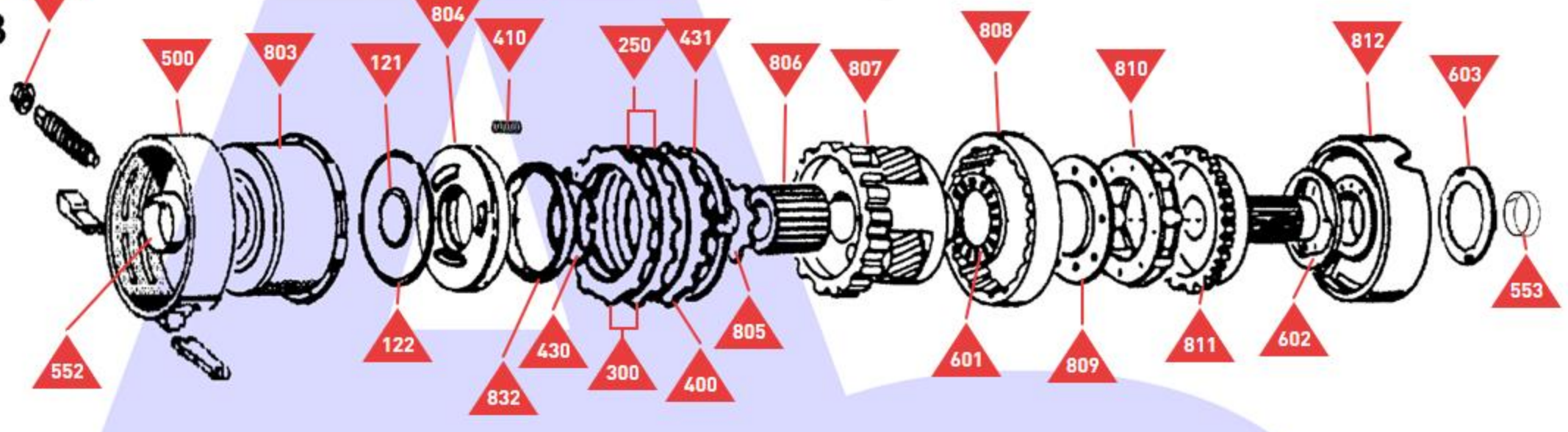


A



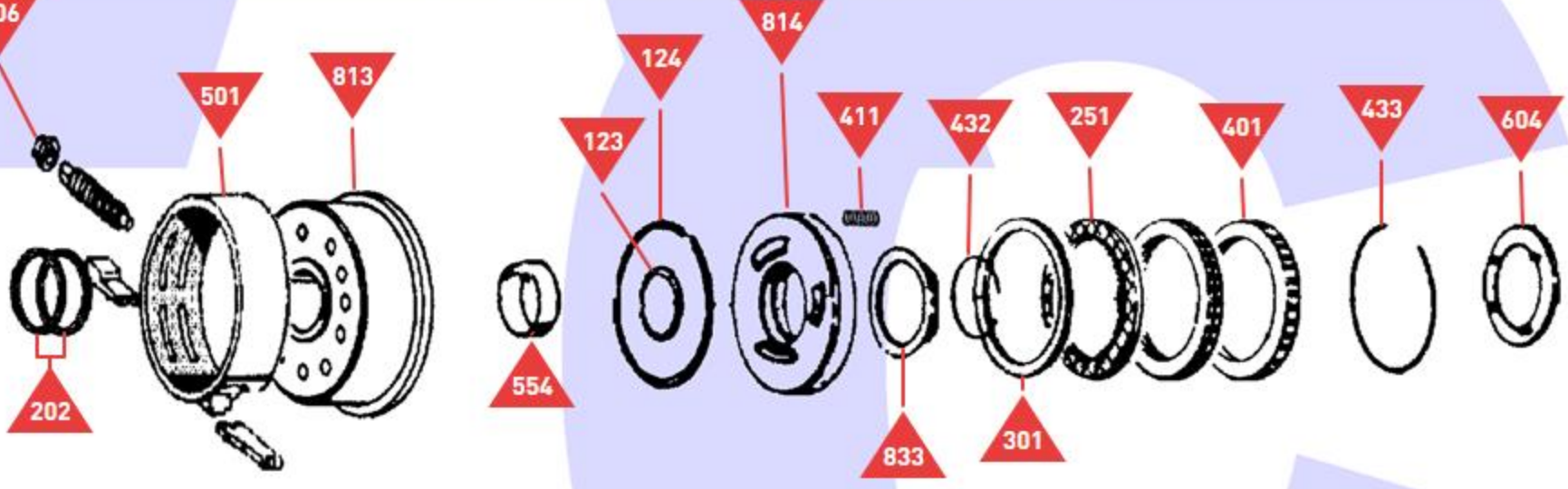
Torque Converter, Bell Housing & Oil Pump

B



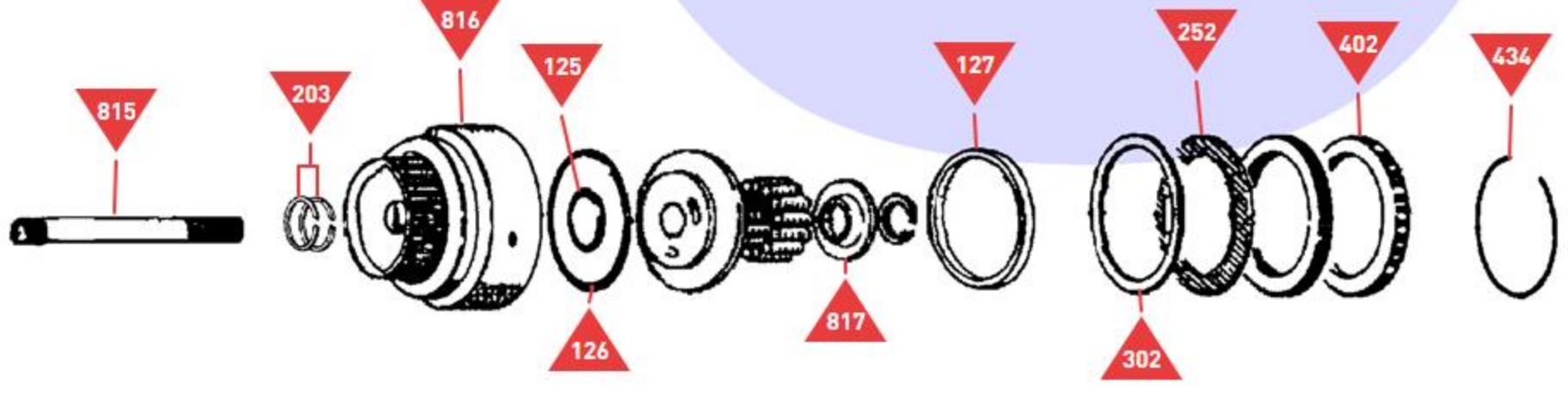
Overdrive Band, Overdrive Clutch & Planetary

C



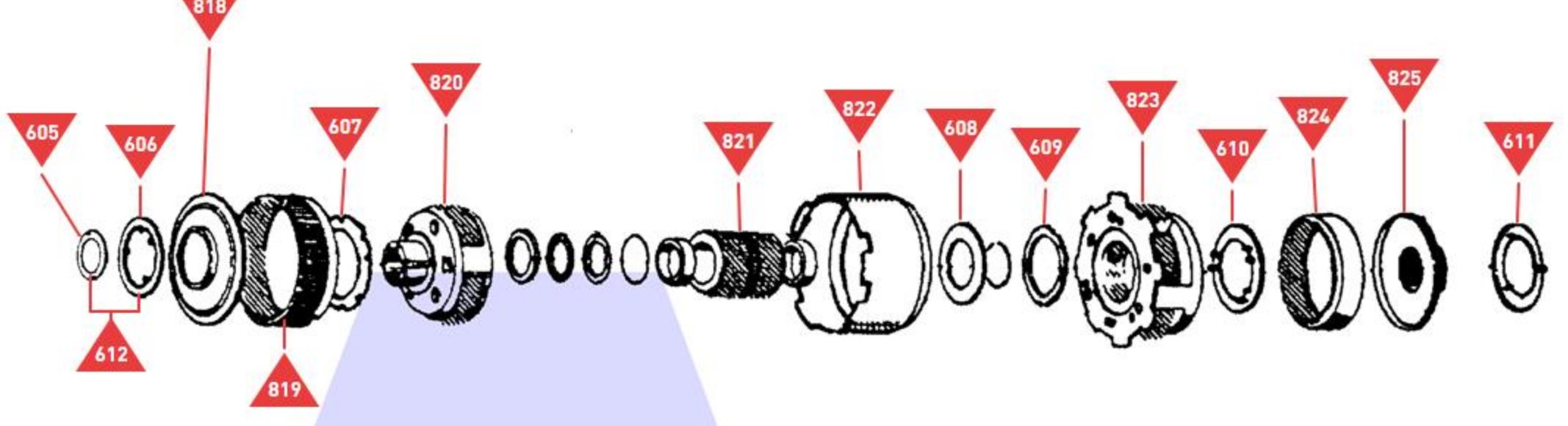
Intermediate Band, Third & Reverse Clutch

D



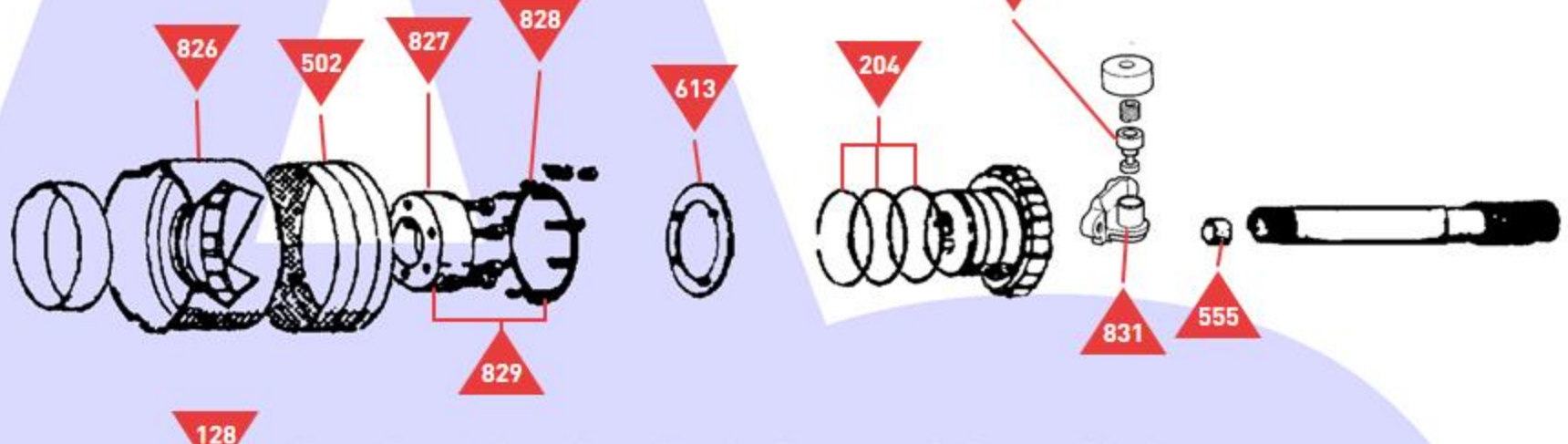
Input Shaft & Forward Clutch

E



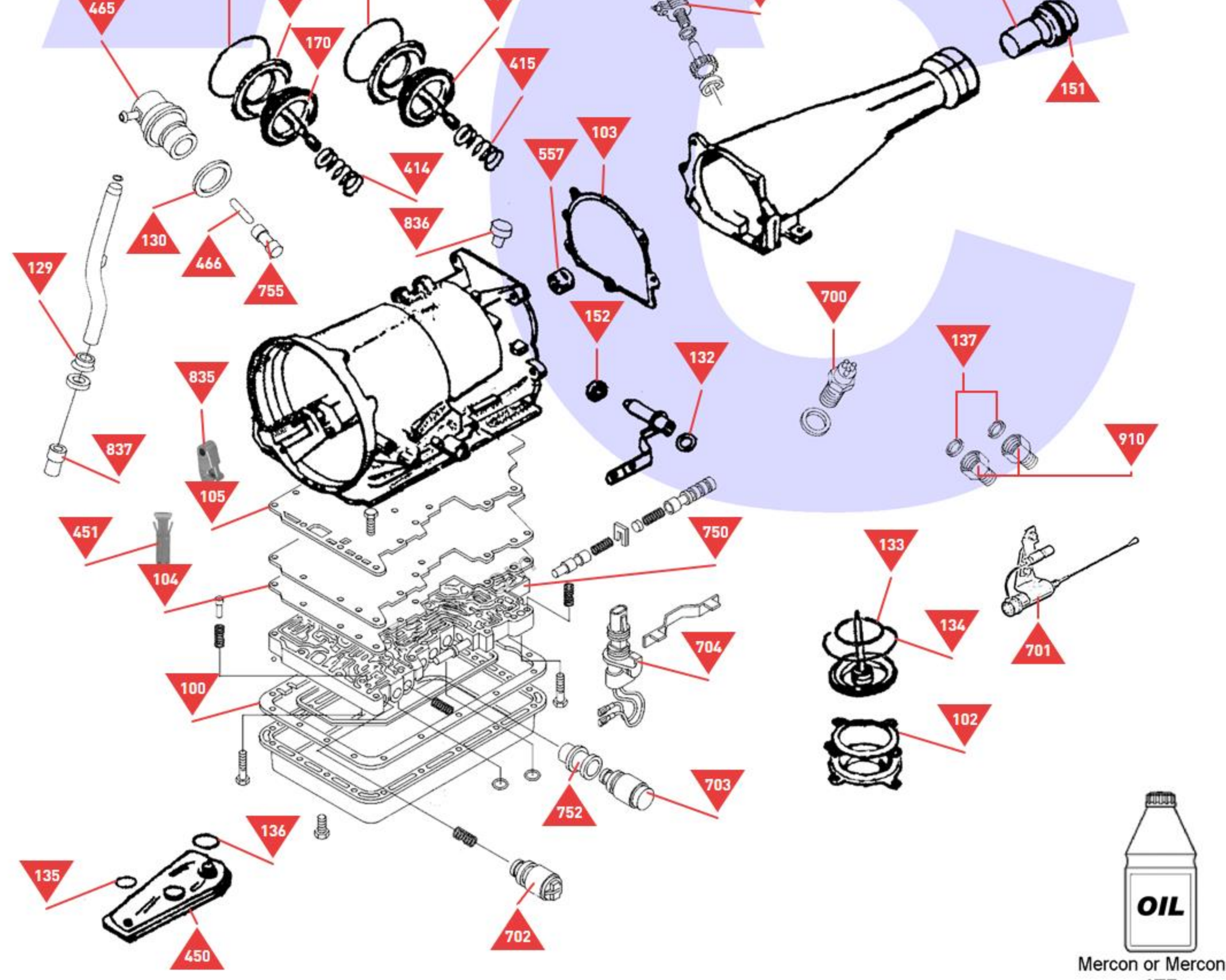
Front & Rear Planetary Sets

F



Rear Band, One Way Clutch, Governor & Output Shaft

G



Casings, Servos, Valve Body Etc.



Mercon or Mercon V
ATF