

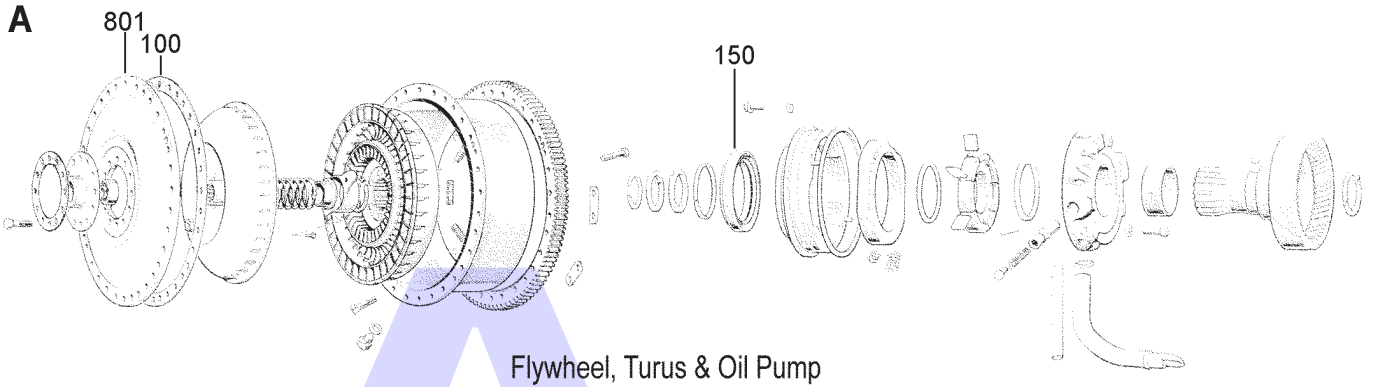
Hydramatic Standard Dual (Rolls Royce & Bently (1952-67) Hudson (1952-56), Lincoln (1952-54), Nash (1952-56) 4 Speed RWD (Hydraulic Control)



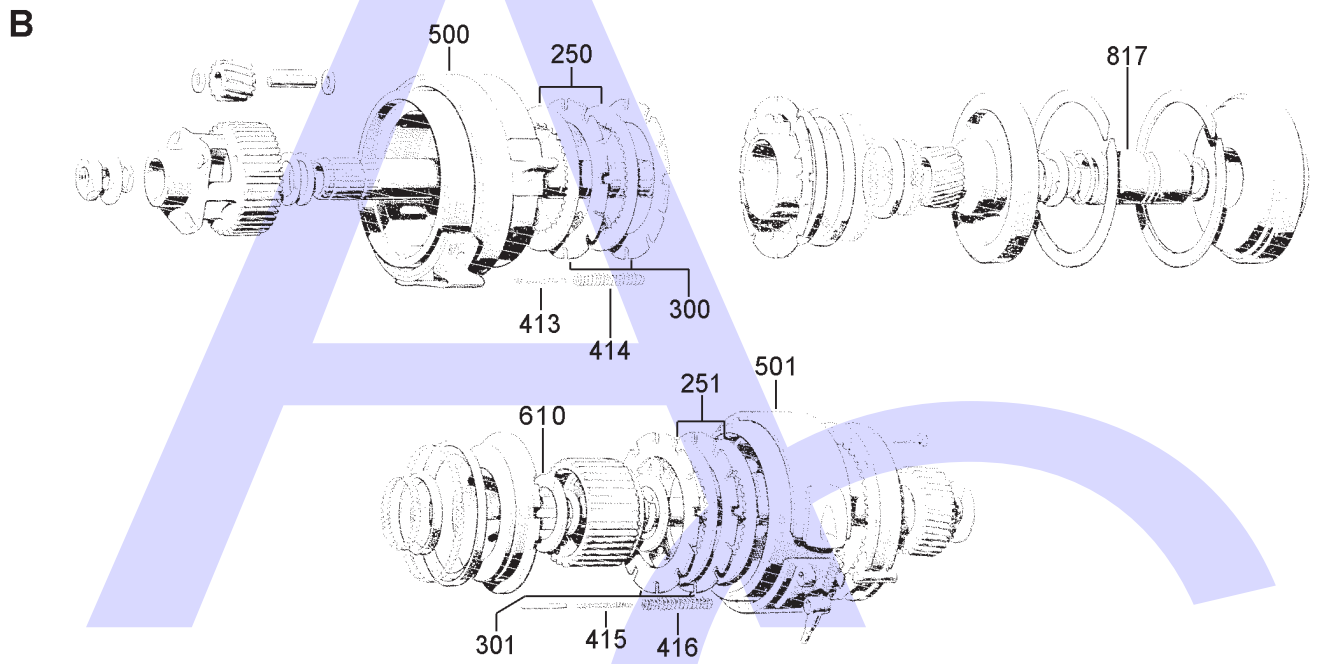
AUTOMATIC CHOICE



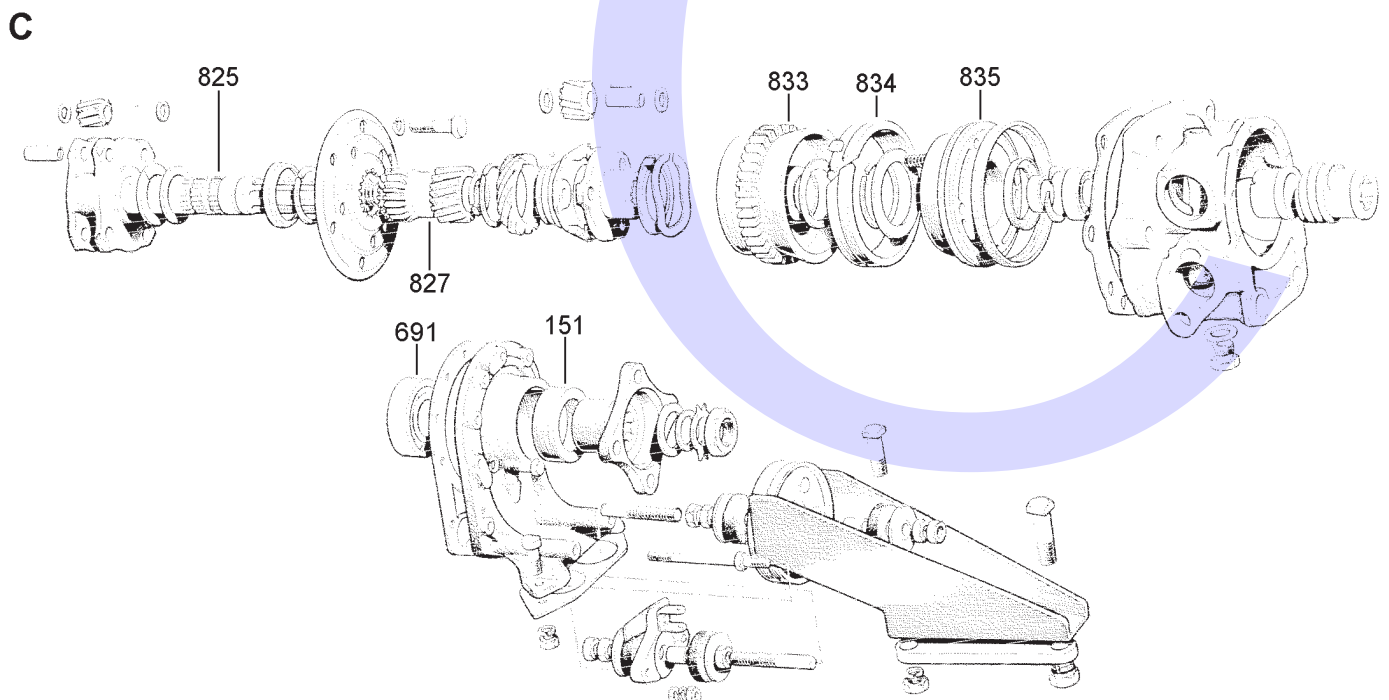
THE AUTOMATIC TRANSMISSION PARTS WAREHOUSE



Flywheel, Turus & Oil Pump



Front & Rear Drums



Output Shaft Assembly

Hydramatic Standard Dual (Rolls Royce & Bently (1952-67) Hudson (1952-56), Lincoln (1952-54), Nash (1952-56) 4 Speed RWD (Hydraulic Control)

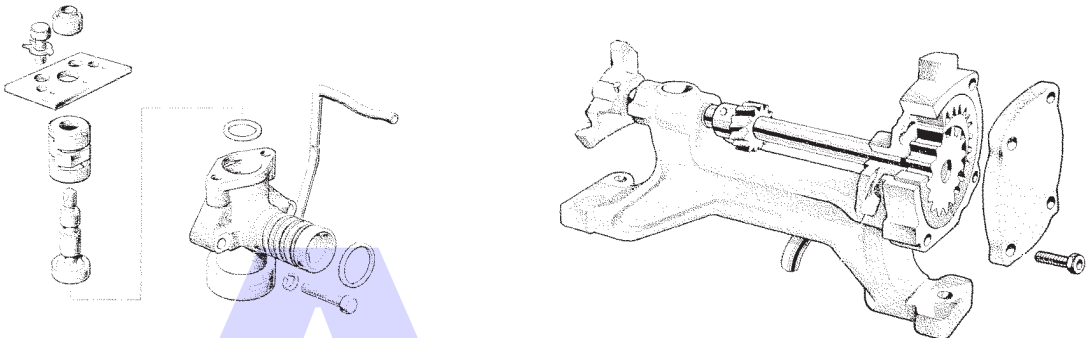


AUTOMATIC CHOICE



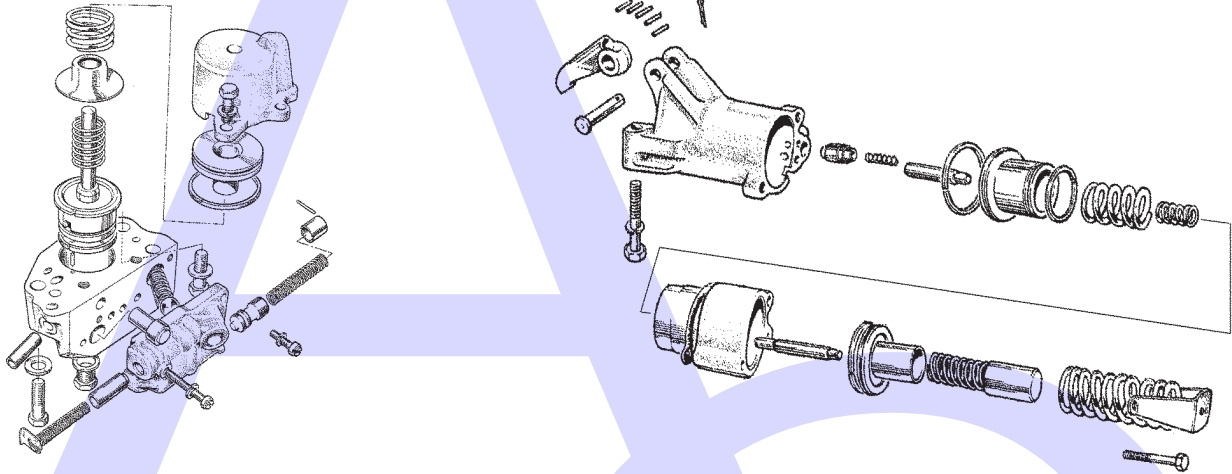
THE AUTOMATIC TRANSMISSION PARTS WAREHOUSE

D



Governor & Secondary Pump

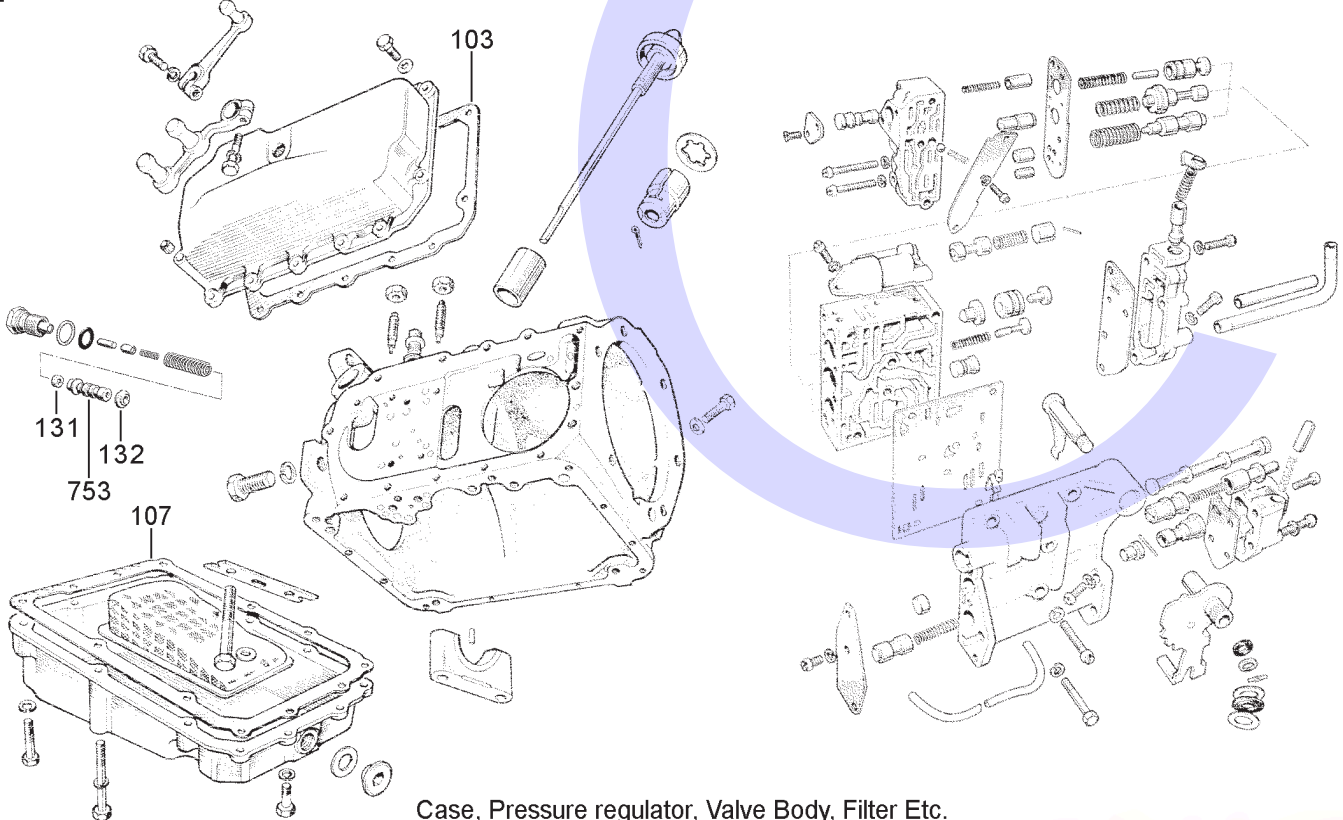
E



Front Servo Assembly

Rear Servo assembly

F



Case, Pressure regulator, Valve Body, Filter Etc.

Hydramatic Standard Dual 1946-67: (Rolls Royce & Bentley 52-67) Hudson (1952-56), Lincoln (1952-54), Nash (1952-56)

4 Speed RWD (Hydraulic Control)



AUTOMATIC CHOICE



THE AUTOMATIC TRANSMISSION PARTS WAREHOUSE

ILL NO.	DESCRIPTION	YEARS	QTY	PART NO
KITS				
Kit	Banner kit.....	55-56	1	HYDRA.BAK01
Kit	Master Overhaul (USA Vehicles).....	52-62	1	HYDRA.MOHK01
Kit	Master Overhaul (Rolls/Bentley).....	52-67	1	HYDRA.MOHK02
Kit	Master Overhaul (Rolls/Bentley, With Alloy Case & Neutral Clutch).....	66-68	1	HYDRA.MOHK03
Kit	Overhaul Kit (GM/USA Vehicles).....	46-62	1	HYDRA.OHK01
Kit	Overhaul Kit (Rolls / Bentley Vehicles).....	46-66	1	HYDRA.OHK02
Kit	Locking Washer Kit.....	50-57	1	HYDRA.LWK01
GASKETS				
100A	Converter, (350mm OD).....	46-67	1	HYDRA.GAS02
100A	Converter, (380mm OD).....	46-67	1	HYDRA.GAS03
103F	Side Cover, Rolls/Bentley.....	52-67	1	HYDRA.GAS05
107F	Oil Pan, USA Models.....	46-62	1	HYDRA.GAS01
107F	Oil Pan, Rolls/Bentley (12 Bolt).....	52-67	1	HYDRA.GAS04
107F	Oil Pan, Bentley Continental.....	52-67	1	HYDRA.GAS06
RUBBER COMPONENTS				
NI	'O' Ring, Fluid Coupling.....	46-67	1	HYDRA.OR01
131F	Cushion Rubber, Pressure regulator (Outer).....	46-67	1	HYDRA.RUB01
132F	Cushion Rubber, Pressure regulator (Inner).....	46-67	1	HYDRA.RUB02
METAL CLAD SEALS				
150A	Pump Seal (85mm OD).....	46-67	1	HYDRA.MCS01
151C	Extension Seal (66.70mm OD).....	46-67	1	HYDRA.MCS02
SEALING RINGS				
FRICTION PLATES				
Kit	Friction Plate (Alto).....	51-67	1	HYDRA.FRK51
250B	Front Clutch (Waved).....	51-67	6	HYDRA.FRP01
250B	Front Clutch (Cork/Paper).....	52-67	6	HYDRA.FRP02
251B	Rear Clutch (Waved).....	51-67	6	HYDRA.FRP01
251B	Rear Clutch (Cork/Paper).....	52-67	6	HYDRA.FRP02
STEEL PLATES				
Kit	Steel Plate (Alto).....	51-67	1	HYDRA.STK51
300B	Front Clutch.....	46-67	AR	HYDRA.STP01
301B	Rear Clutch.....	46-67	AR	HYDRA.STP01
PRESSURE PLATES				
SPRINGS & CIRCLIPS				
413B	Inner Clutch Release Spring (Front Drum).....	46-67	AR	HYDRA.SPR01
414B	Outer Clutch Release Spring (Front Drum).....	46-67	AR	HYDRA.SPR02
415B	Inner Clutch Release Spring (Rear Drum).....	46-67	AR	HYDRA.SPR01
416B	Inner Clutch Release Spring (Rear Drum).....	46-67	AR	HYDRA.SPR02
NI	Spring, Torus Torsion Damper ..	46-67	6	HYDRA.SPR03

ILL NO.	DESCRIPTION	YEARS	QTY	PART NO
FILTERS				
BANDS				
500B	Front Band (Also Fits Rolls Royce, Bentley) (One Lug Bevelled on Corner) ..	46-67	1	HYDRA.BAN03
500B	Front Band (Old's & Pont, Slant Pan) (One Lug Notched in Centre)....	54-56	1	HYDRA.BAN02
501B	Rear Band (Also Fits Rolls Royce, Bentley) (With Pin).....	52-67	1	HYDRA.BAN04
Click Here For Hydramatic Standard & Dual Range Band Identification Chart				
BUSHINGS				
Kit	Bushing Kit.....	46-67	1	HYDRA.BK01
NI	Bush, Rear Clutch Drum.....	46-67	1	HYDRA.BUS02
NI	Bush, Oil Delivery Sleeve.....	46-67	1	HYDRA.BUS03
THRUST WASHERS & BEARINGS				
Kit	Thrust Washer Kit.....	46-67	1	HYDRA.TWK01
610B	Thrust Washer Rear Hub (Front Bronze).....	46-67	1	HYDRA.THW01
691C	Bearing, Output Shaft Rear.....	46-67	1	HYDRA.BE01
ELECTRICAL COMPONENTS				
VALVE BODY PARTS				
753F	Pressure Regulator Valve.....	46-67	1	HYDRA.VA01
HARD PARTS				
801A	Torus Cover (14" x 5 1/4").....	46-67	1	HYDRA.COV01
817B	Oil Delivery Sleeve.....	46-67	1	HYDRA.SL01
825C	Rear Planetary (USA Models Only).....	46-62	1	HYDRA.PL01
827C	Sun Gear (USA Models Only)...	46-62	1	HYDRA.SUN01
833C	Rear Ring Gear (USA Models Only).....	46-62	1	HYDRA.GE01
834C	Reverse Cone (Aluminium) (Rolls Royce).....	52-67	1	HYDRA.CON01
835C	Reverse Piston (USA Models Only).....	46-62	1	HYDRA.PIS01
SPECIAL ITEMS				
Kit	Locking Washer Kit.....	50-57	1	HYDRA.LWK01
TOOLS & MANUALS				