

Cast Iron Powerglide (1950-62)

2 Speed RWD (Hydraulic Control)

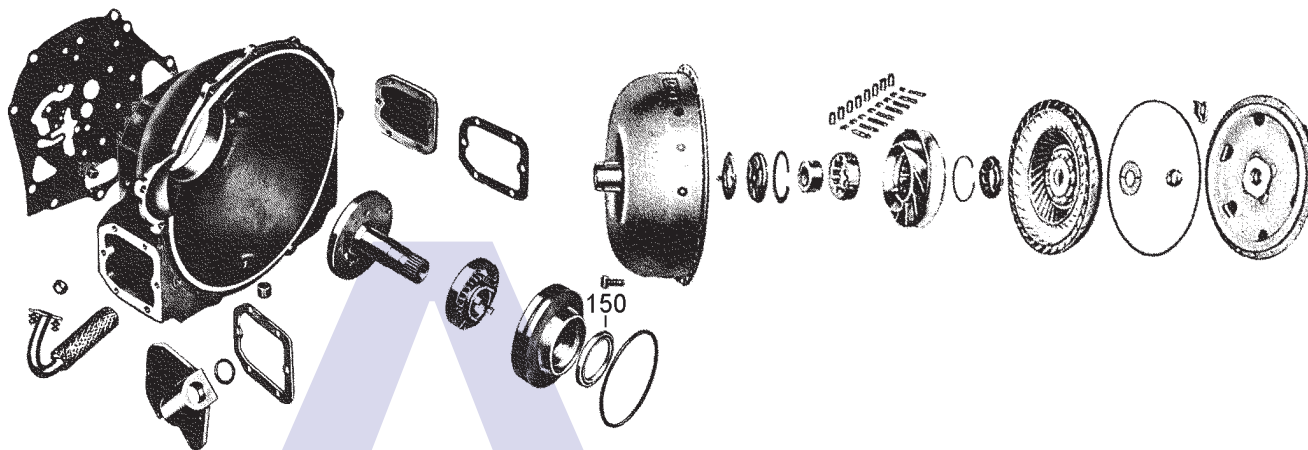


AUTOMATIC CHOICE

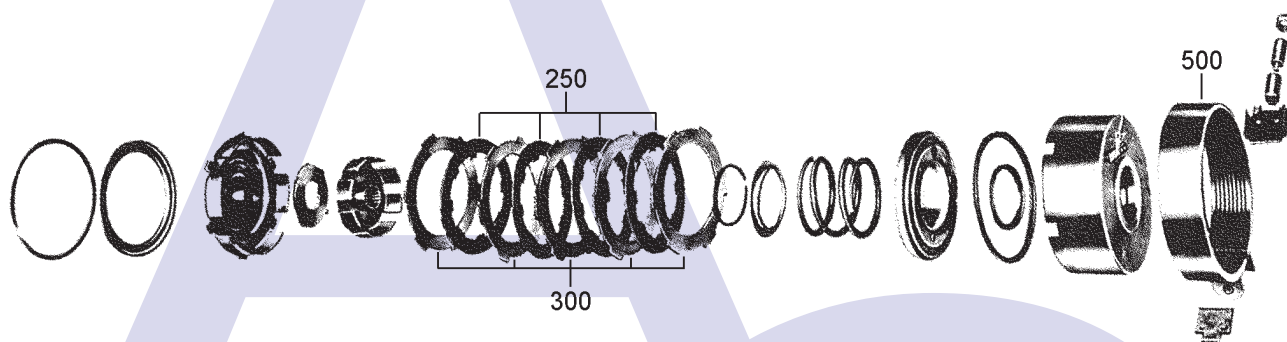


THE AUTOMATIC TRANSMISSION PARTS WAREHOUSE

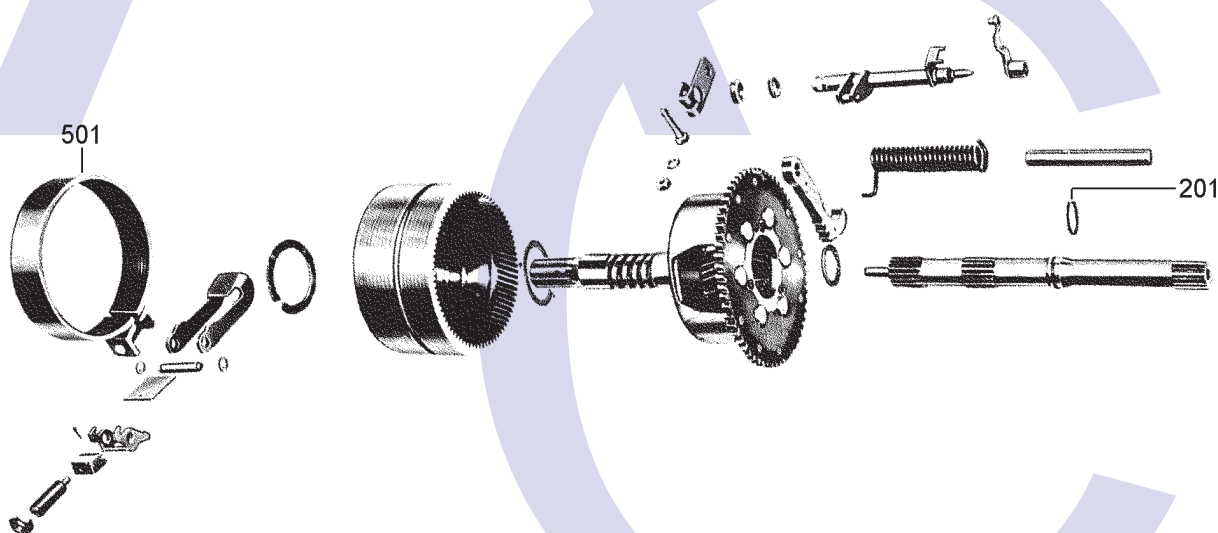
A



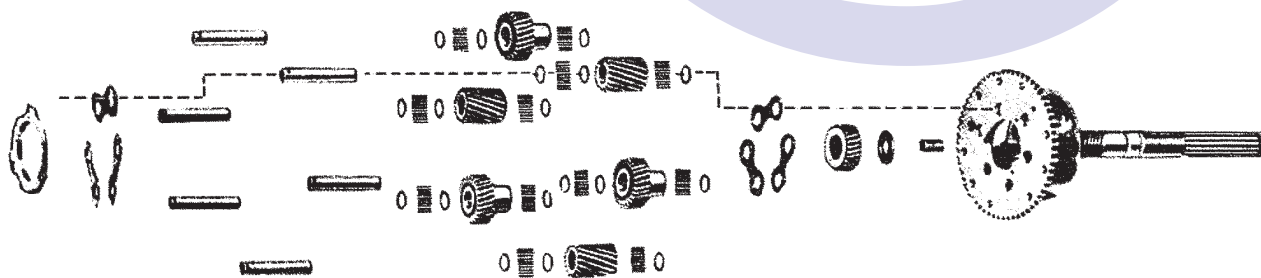
B



C



D



Cast Iron Powerglide (1950-62)

2 Speed RWD (Hydraulic Control)

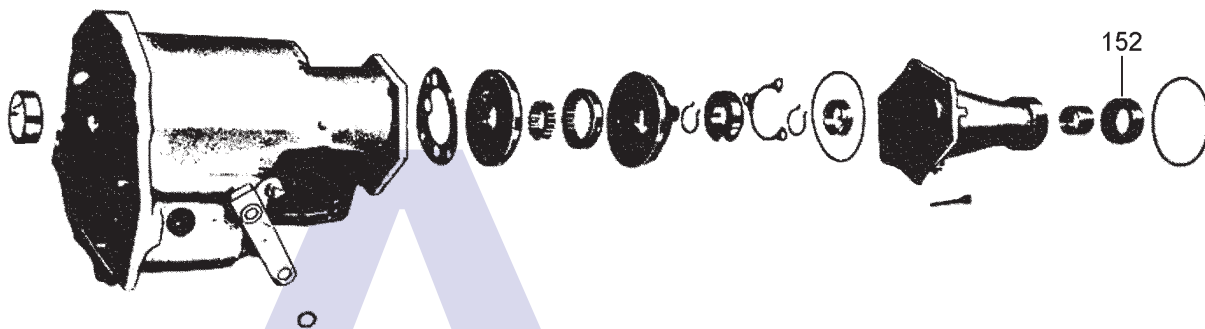


AUTOMATIC CHOICE

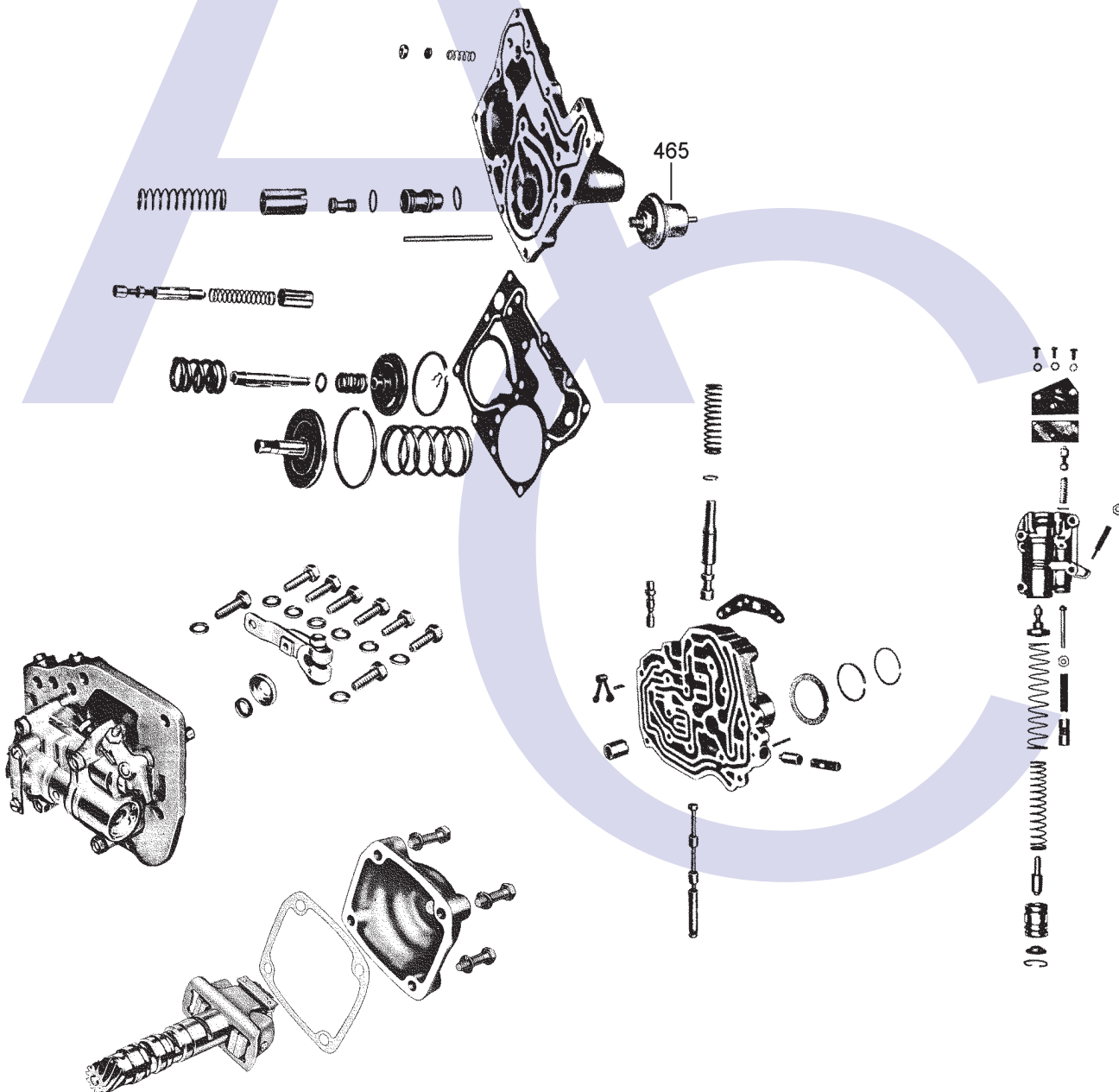


THE AUTOMATIC TRANSMISSION PARTS WAREHOUSE

E



F



Cast Iron Powerglide (1950-62)

2 Speed RWD (Hydraulic Control)



AUTOMATIC CHOICE



THE AUTOMATIC TRANSMISSION PARTS WAREHOUSE

ILL NO.	DESCRIPTION	YEARS	QTY	PART NO
KITS				
Kit	Master Overhaul Kit	55-57	1	POWER.MOHK03
Kit	Master Overhaul Kit	58-62	1	POWER.MOHK04
Kit	Banner Kit (Overhaul Kit With Frictions).....	58-62	1	POWER.BAK01
Kit	Overhaul Kit	50-52	1	POWER.OHK02
Kit	Overhaul Kit	53-54	1	POWER.OHK03
Kit	Overhaul Kit	55-57	1	POWER.OHK04
Kit	Overhaul Kit	58-62	1	POWER.OHK05
GASKETS				
RUBBER COMPONENTS				
METAL CLAD SEALS				
150A	Pump Seal	62-73	1	TH400.MCS03
152E	Extension Seal	62-73	1	TH180.MCS02
MOULDED PISTONS				
SEALING RINGS				
201C	Input Shaft (Teflon®).....	80-62	1	POWER.SSR01
FRICITION PLATES				
250B	High Clutch (129mm OD x 2.50mm x 43T) ..	61-62	2-4	POWER.FRP01
STEEL PLATES				
300B	High Clutch (98mm ID x 1.80mm x 12T)	61-62	5	POWER.STP01
PRESSURE PLATES				
SPRINGS & CIRCLIPS				
FILTERS				

ILL NO.	DESCRIPTION	YEARS	QTY	PART NO
MODULATORS				
465F	Vacuum Modulator	50-62	1	POWER.MOD02
BANDS				
500B	Low Band (Solid).....	50-54	1	POWER.BAN02
500B	Low Band (Double Wrap).....	55-62	1	POWER.BAN06
501C	Reverse Band	50-62	1	POWER.BAN02
BUSHINGS				
NI	Pump (PTFE Lined) (Sonnax® Click here for Info) ..	50-62	1	TH180.BUS02
NI	Pump (Oversized) (Sonnax)	50-62	1	POWER.BUS02
NI	Sun Gear	62-73	1	POWER.BUS04
NI	Clutch Drum (77mm).....	50-57	1	POWER.BUS06
THRUST WASHERS & BEARINGS				
Kit	Planetary Washer Kit	58-62	1	POWER.TWK02
ELECTRICAL COMPONENTS				
VALVE BODY PARTS				
HARD PARTS				
SPECIAL ITEMS				
TOOLS & MANUALS				

Cast Iron Powerglide (1950-62)

2 Speed RWD (Hydraulic Control)



A
U
T
O
M
A
T
I
C

C
H
O
I
C
E



T
H
E

A
U
T
O
M
A
T
I
C

T
R
A
N
S
M
I
S
S
I
O
N

P
A
R
T
S

W
A
R
E
H
O
U
S
E

ILL NO.	DESCRIPTION	YEARS	QTY	PART NO
-----------------	-------------	-------	-----	---------

ILL NO.	DESCRIPTION	YEARS	QTY	PART NO
-----------------	-------------	-------	-----	---------