

# SATURN - TAAT

## 4 SPEED FWD

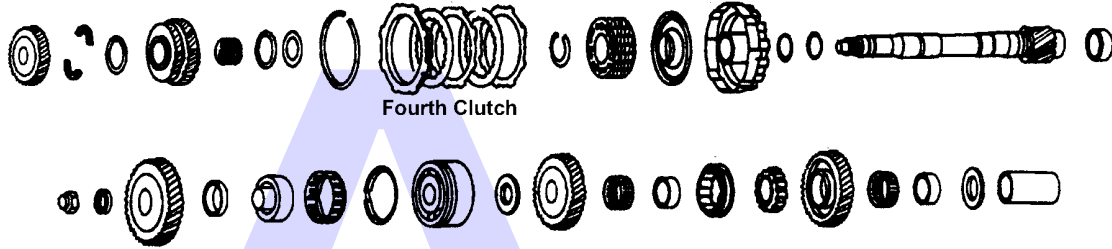


AUTOMATIC CHOICE

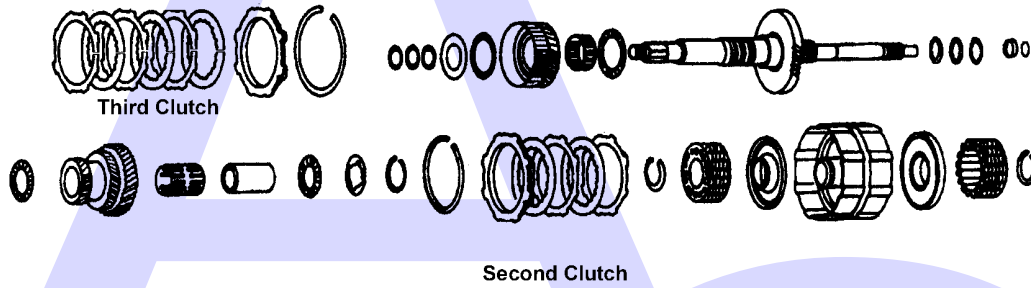


THE AUTOMATIC TRANSMISSION PARTS WAREHOUSE

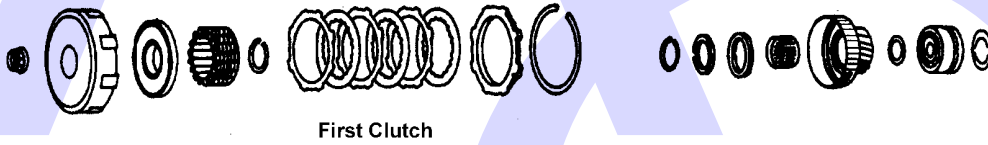
A



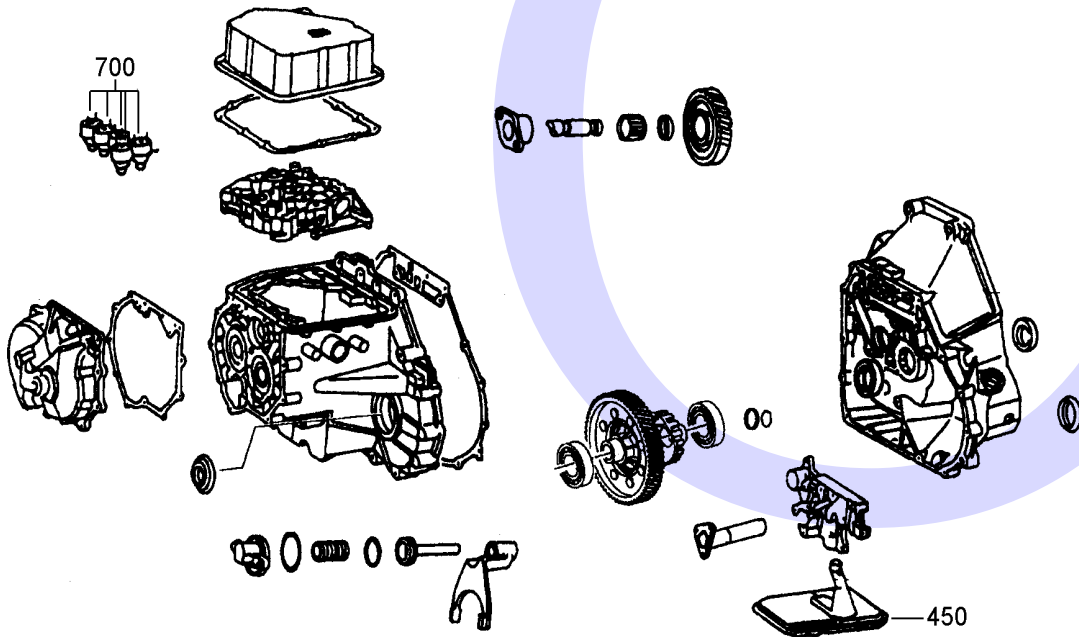
B



C



D



# SATURN - TAAT

## 4 SPEED FWD



AUTOMATIC CHOICE

| ILL NO.                              | DESCRIPTION                             | YEARS | QTY | PART NO     |
|--------------------------------------|---|-------|-----|-------------|
| <b>KITS</b>                          |   |       |     |             |
| Kit                                  | Master Overhaul Kit .....               | 91-ON | 1   | TAAT.MOHK01 |
| Kit                                  | Overhaul Kit<br>(Without Pistons) ..... | 91-ON | 1   | TAAT.OHK01  |
| <b>GASKETS</b>                       |   |       |     |             |
| <b>RUBBER COMPONENTS</b>             |   |       |     |             |
| <b>METAL CLAD SEALS</b>              |   |       |     |             |
| <b>MOULDED PISTONS</b>               |   |       |     |             |
| <b>SEALING RINGS</b>                 |   |       |     |             |
| <b>FRICTION PLATES</b>               |   |       |     |             |
| <b>STEEL PLATES</b>                  |   |       |     |             |
| <b>PRESSURE PLATES</b>               |   |       |     |             |
| <b>SPRINGS &amp; CIRCLIPS</b>        |   |       |     |             |
| <b>FILTERS</b>                       |   |       |     |             |
| 450D                                 | Pick Up Filter (Internal) .....         | 91-ON | 1   | TAAT.FIL01  |
| NI                                   | External Filter .....                   | 91-ON | 1   | TAAT.FIL02  |
| <b>BANDS</b>                         |   |       |     |             |
| <b>BUSHINGS</b>                      |   |       |     |             |
| <b>THRUST WASHERS &amp; BEARINGS</b> |   |       |     |             |

| ILL NO.                      | DESCRIPTION                              | YEARS | QTY | PART NO    |
|------------------------------|--|-------|-----|------------|
| <b>ELECTRICAL COMPONENTS</b> |  |       |     |            |
| 700D                         | Solenoid 3rd Design<br>(White Top) ..... | 93-ON | 5   | TAAT.SOL01 |
| <b>VALVE BODY PARTS</b>      |  |       |     |            |
| <b>HARD PARTS</b>            |  |       |     |            |
| <b>SPECIAL ITEMS</b>         |  |       |     |            |
| <b>TOOLS &amp; MANUALS</b>   |  |       |     |            |



THE AUTOMATIC TRANSMISSION PARTS WAREHOUSE