

PX4B, A6VA, APXA, APX4, AOYA, BOYA, MPOA, MPJA,
 MPWA, MPXA, MP1A, MP1B
 Accord/Prelude/Rover 600 90-97 FWD (Electronic Control)

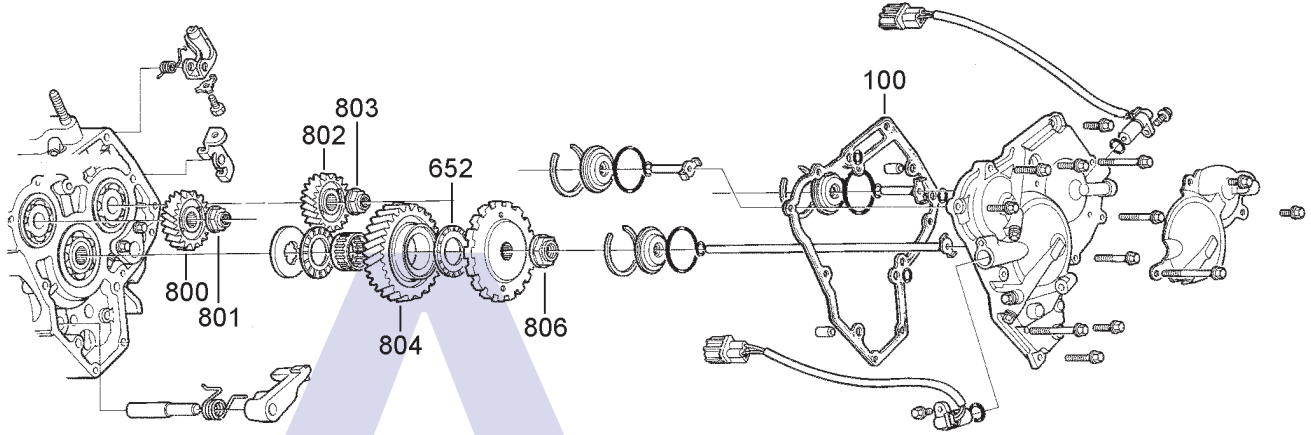


AUTOMATIC CHOICE

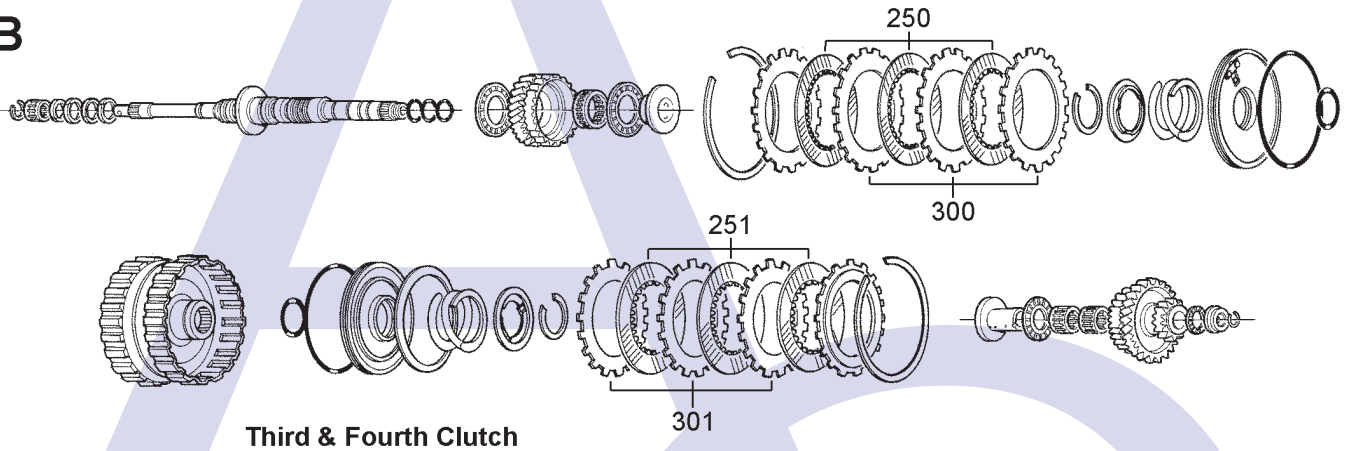


THE AUTOMATIC TRANSMISSION PARTS WAREHOUSE

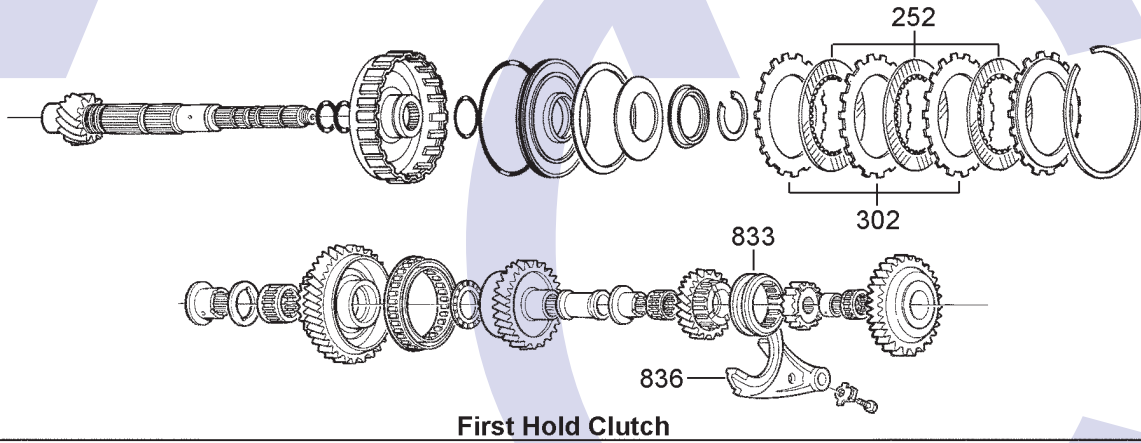
A



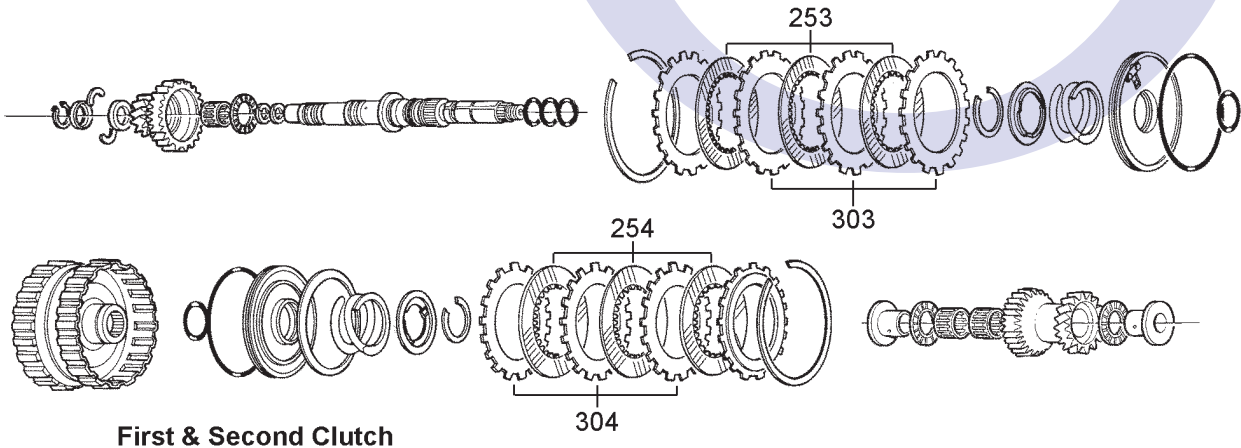
B



C



D



PX4B, A6VA, APXA, APX4, AOYA, BOYA, MPOA, MPJA,
MPWA, MPXA, MP1A, MP1B
Accord/Prelude/Rover 600 90-97 FWD (Electronic Control)

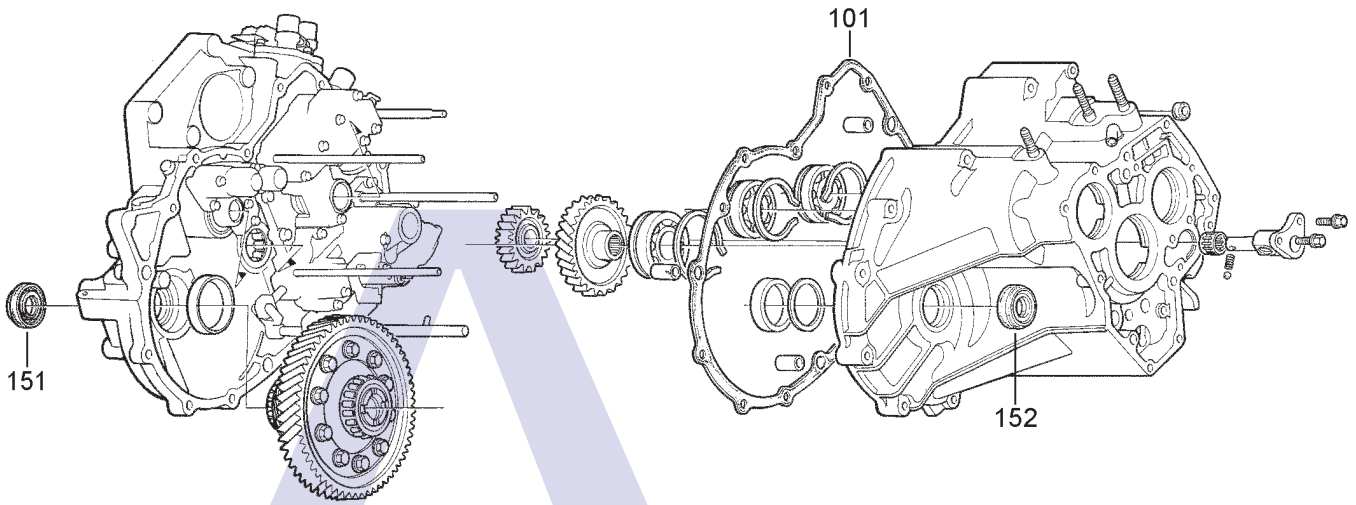


AUTOMATIC CHOICE

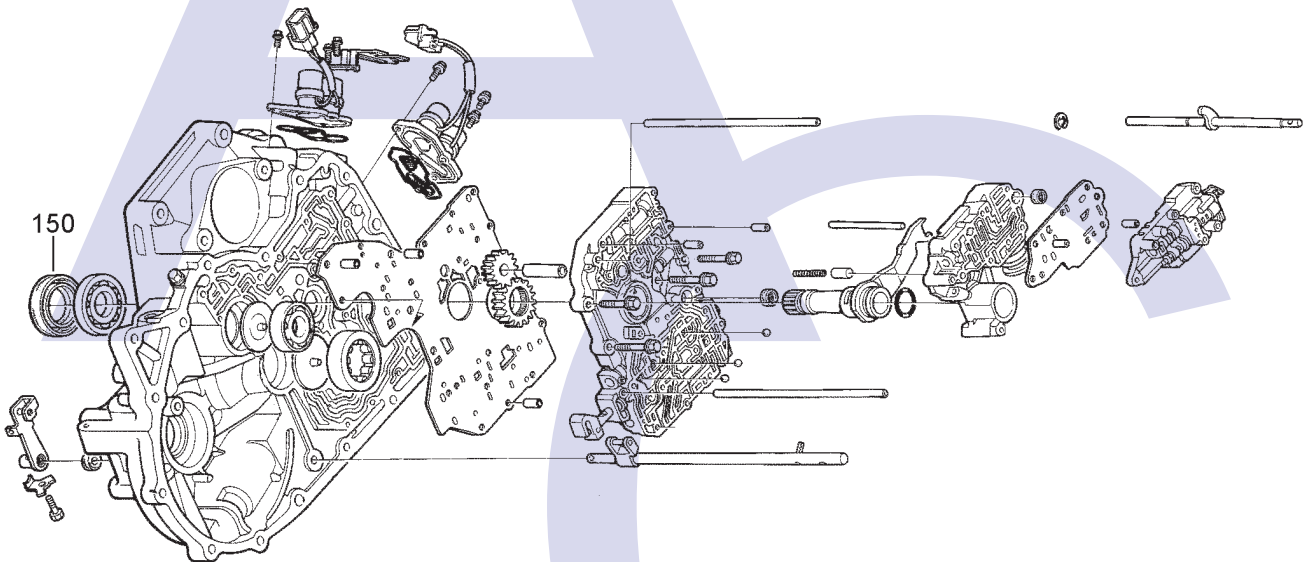


THE AUTOMATIC TRANSMISSION PARTS WAREHOUSE

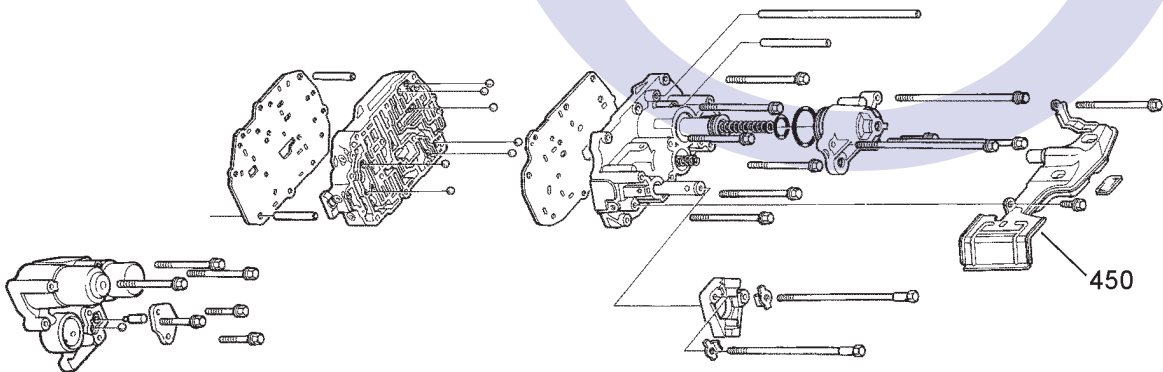
E



F



G



PX4B, A6VA, APXA, APX4, AOYA, BOYA, MPOA, MPJA, MPWA, MPXA, MP1A, MP1B Accord/Prelude/Rover 600 90-97 FWD (Electronic Control)



AUTOMATIC CHOICE



THE AUTOMATIC TRANSMISSION PARTS WAREHOUSE

ILL NO.	DESCRIPTION	YEARS	QTY	PART NO
KITS				
Kit	Gasket & Seal.....	90-97	1	HON4.GSK06
Kit	Overhaul (Transtec).....	90-97	1	HON4.OHK06
Kit	Overhaul (Precision).....	90-97	1	HON4.OHK65
GASKETS				
100A	End Cover to Case (PX4B With Governor).....	90-ON	1	HON4.GAS07
101E	Case to Converter Housing (PX4B With Governor).....	90-ON	1	HON4.GAS06
RUBBER COMPONENTS				
METAL CLAD SEALS				
150F	Converter Seal.....	90-97	1	HON4.MCS02
151E	Axle Seal Left Hand (All Except MPJA)	90-97	1	HON4.MCS04
152E	Axle Seal Right Hand.....	90-97	1	HON4.MCS08
SEALING RINGS				
FRICTION PLATES				
Kit	Friction Plate (Alto) (All Except MP1A).....	90-97	1	HON4.FRK64
Kit	Friction Plate (Alto) MP1A.....	92-96	1	HON4.FRK65
250B	Third Clutch (120mm OD x 1.95mm x 44T) ..	90-97	3	HON4.FRP03
250B	Third Clutch (Alto) (120mm OD x 1.95mm x 44T) ..	90-97	3	HON4.FRP54
251B	Fourth Clutch (120mm OD x 1.95mm x 44T) ..	90-97	3	HON4.FRP03
251B	Fourth Clutch (Alto) (120mm OD x 1.95mm x 44T) ..	90-97	3	HON4.FRP54
252C	First Hold Clutch (120mm OD x 1.95mm x 44T) ..	90-97	3	HON4.FRP03
252C	First Hold Clutch (Alto) (120mm OD x 1.95mm x 44T) ..	90-97	3	HON4.FRP54
253D	First Clutch (120mm OD x 1.95mm x 44T) ..	90-97	3	HON4.FRP03
253D	First Clutch (Alto) (120mm OD x 1.95mm x 44T) ..	90-97	3	HON4.FRP54
254D	Second Clutch (120mm OD x 1.95mm x 44T) ..	90-97	3-4	HON4.FRP03
254D	Second Clutch (Alto) (120mm OD x 1.95mm x 44T) ..	90-97	3-4	HON4.FRP54
STEEL PLATES				
Kit	Steel Plate (Alto) (APXA, AOYA, MPOA, MPWA, MPXA, PX4B)	90-97	1	HON4.STK71
Kit	Steel Plate (Alto) (MP1A Prelude)	92-96	1	HON4.STK72
Kit	Steel Plate (Alto) (BOYA, MPJA, A6VA Isuzu Oasis)	95-97	1	HON4.STK75
300B	Third Clutch (93mm ID x 2.30mm x 24T)	90-ON	3	HON4.STP05
301B	Fourth Clutch (93mm ID x 2.30mm x 24T)	90-ON	3	HON4.STP05

ILL NO.	DESCRIPTION	YEARS	QTY	PART NO
STEEL PLATES Cont...				
302C	First Hold Clutch (93mm ID x 2.00mm x 24T)	92-95	3	HON4.STP03
302C	First Hold Clutch (93mm ID x 2.00mm x 24T)	95-ON	3	HON4.STP12
302C	First Hold Clutch (Selective) (93mm ID x 1.80mm x 24T)	90-ON	AR	HON4.STP09
303D	First Clutch (Except Prelude) (93mm ID x 2.00mm x 24T)	90-97	3	HON4.STP03
303D	First Clutch (Prelude) (93mm ID x 2.00mm x 24T)	95-96	3	HON4.STP12
303D	First Clutch (Selective) (93mm ID x 1.80mm x 24T)	90-ON	AR	HON4.STP09
304D	Second Clutch (All & Prelude S Model) (93mm ID x 2.60mm x 24T)	90-ON	3	HON4.STP04
304D	Second Clutch (Prelude Except S Model) (93mm ID x 2.00mm x 24T)	92-96	3	HON4.STP03
PRESSURE PLATES				
SPRINGS & CIRCLIPS				
NI	Waved Cushion 1st Clutch.....	90-ON	1	HON4.DIA03
NI	Waved Cushion 2nd Clutch	90-ON	1	HON4.DIA03
NI	Waved Cushion 3rd Clutch	90-ON	1	HON4.DIA03
NI	Waved Cushion 4th Clutch	90-ON	1	HON4.DIA03
FILTERS				
450G	Pick Up Filter (Accord) (20.40mm Neck)	90-91	1	HON4.FIL03
450G	Pick Up Filter (Accord/Rover 620, Prelude,Odyssey, 2.2CL) (20.10mm Neck)	92-97	1	HON4.FIL06
450G	Pick Up Filter (PX4B) (With Governor)	92-97	1	HON4.FIL15
BUSHINGS				
Klt	Bushing (A6VA, AOYA, APX4, APXA, BOYA, MP1A)	90-ON	1	HON4.BK03
THRUST WASHERS & BEARINGS				
652A	Thrust Bearing, Idler to Park Wheel (PX4B)	90-97	1	HON4.BE25
ELECTRICAL COMPONENTS				

**PX4B, A6VA, APXA, APX4, AOYA, BOYA, MPOA, MPJA,
MPWA, MPXA, MP1A, MP1B
Accord/Prelude/Rover 600 90-97 FWD (Electronic Control)**



**A
U
T
O
M
A
T
I
C
C
H
O
I
C
E**



**T
H
E
A
U
T
O
M
A
T
I
C
T
R
A
N
S
M
I
S
S
I
O
N
P
A
R
T
S
W
A
R
E
H
O
U
S
E**

ILL NO.	DESCRIPTION	YEARS	QTY	PART NO
VALVE BODY PARTS				
HARD PARTS				
800A	Gear, Secondary Shaft Idler (PX4B)	90-97	1	HON4.GE26
801A	Nut Retaining Secondary Shaft Idler (Right Hand Thread)	90-97	1	HON4.NUT25
802A	Gear, Mainshaft Idler (PX4B)	90-97	1	HON4.GE27
803A	Nut Retaining Mainshaft Idler (Left Hand Thread)	90-97	1	HON4.NUT26
804A	Gear, Countershaft Idler (PX4B)	90-97	1	HON4.GE25
806A	Nut Retaining Countershaft Idler (Right Hand Thread)	90-97	1	HON4.NUT25
833C	Reverse Selector Sleeve (PX4B)	90-97	1	HON4.SEL06
836C	Reverse Selector Fork (PX4B) .	90-97	1	HON4.SEL05
SPECIAL ITEMS				
TOOLS & MANUALS				
NI	ATSG Repair Manual.....	90-97	1	HON4.MAN05

ILL NO.	DESCRIPTION	YEARS	QTY	PART NO
---------	-------------	-------	-----	---------