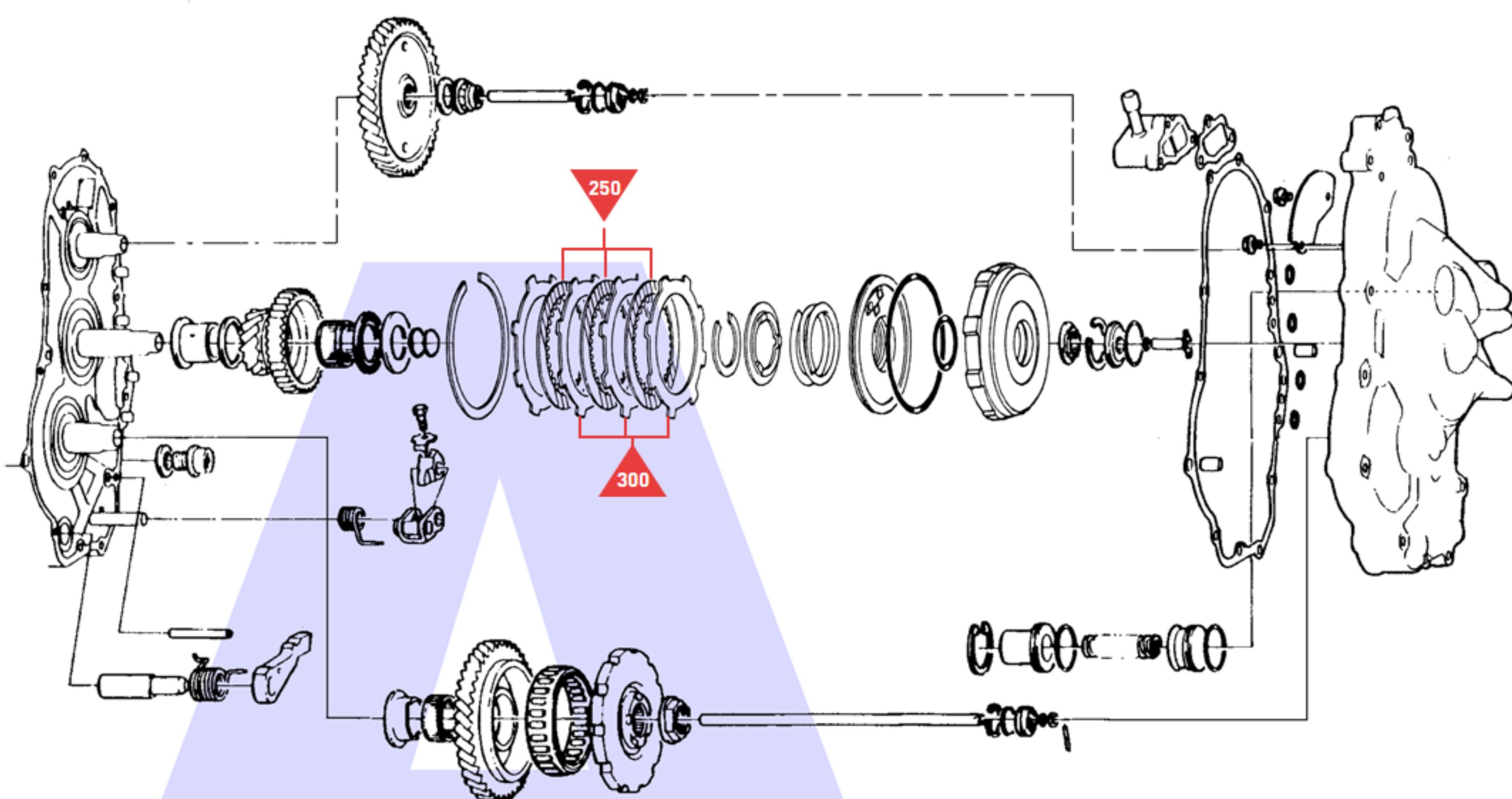
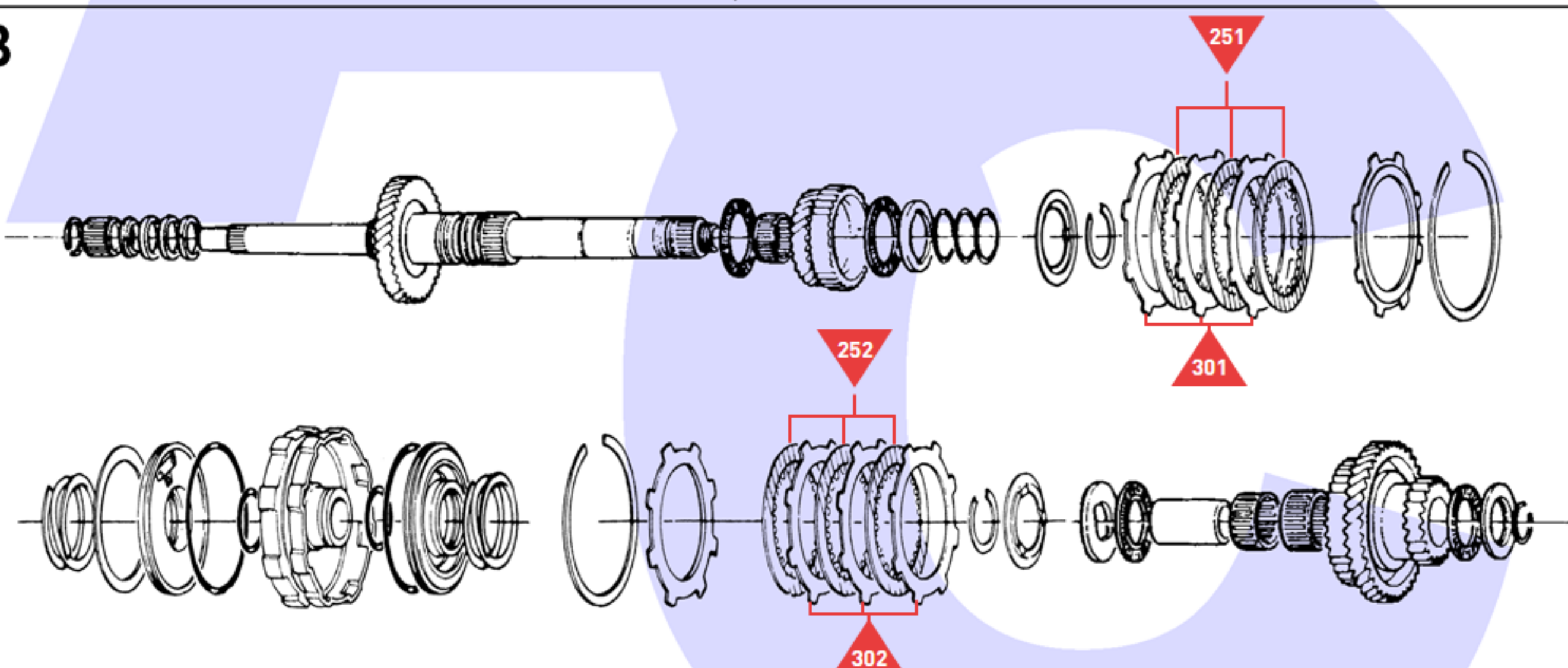


A



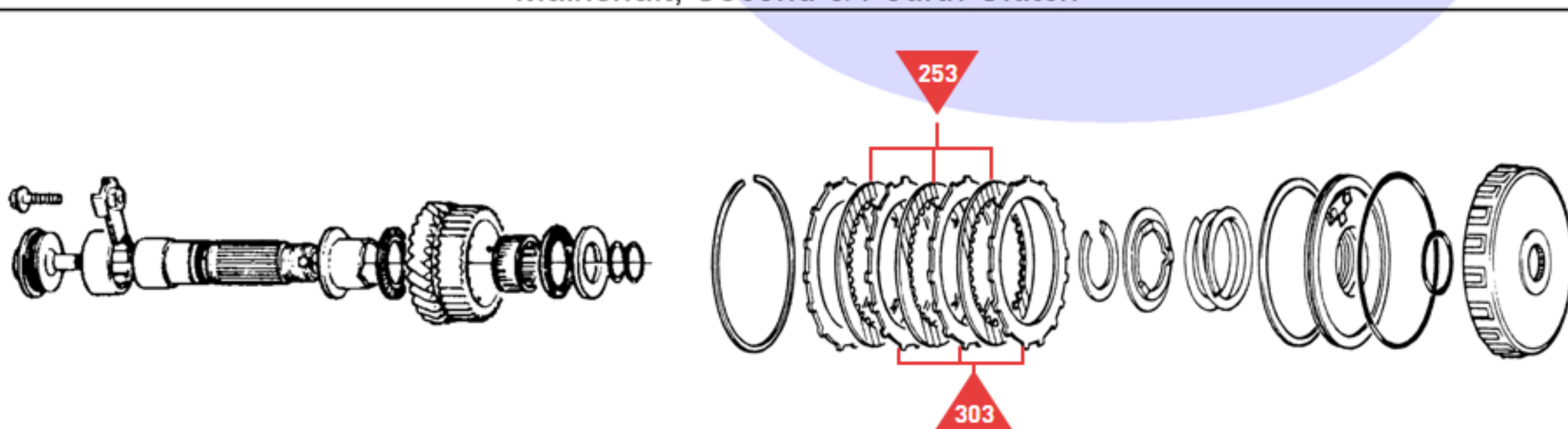
End Cover, First Clutch & Gears

B



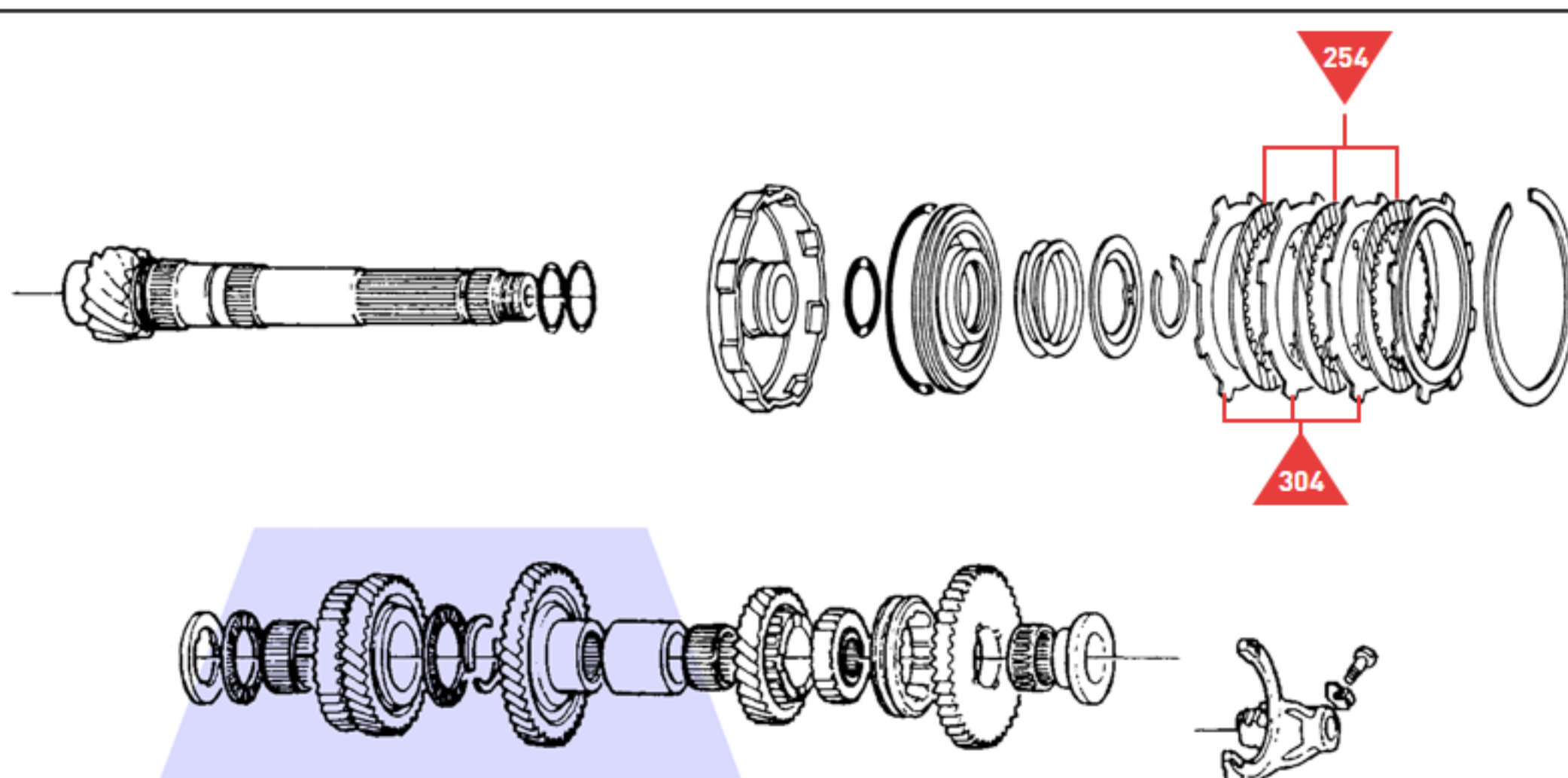
Mainshaft, Second & Fourth Clutch

C



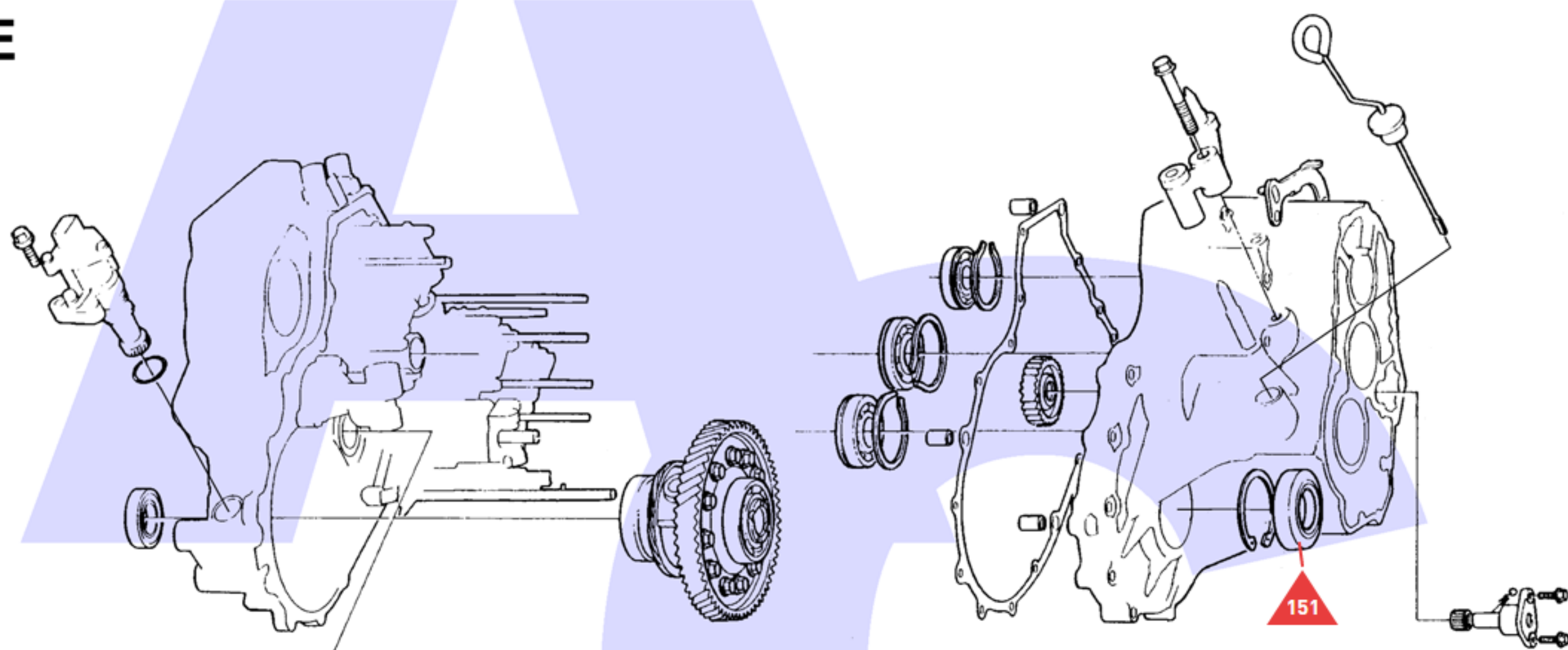
Sub Shaft & First Hold Clutch

D

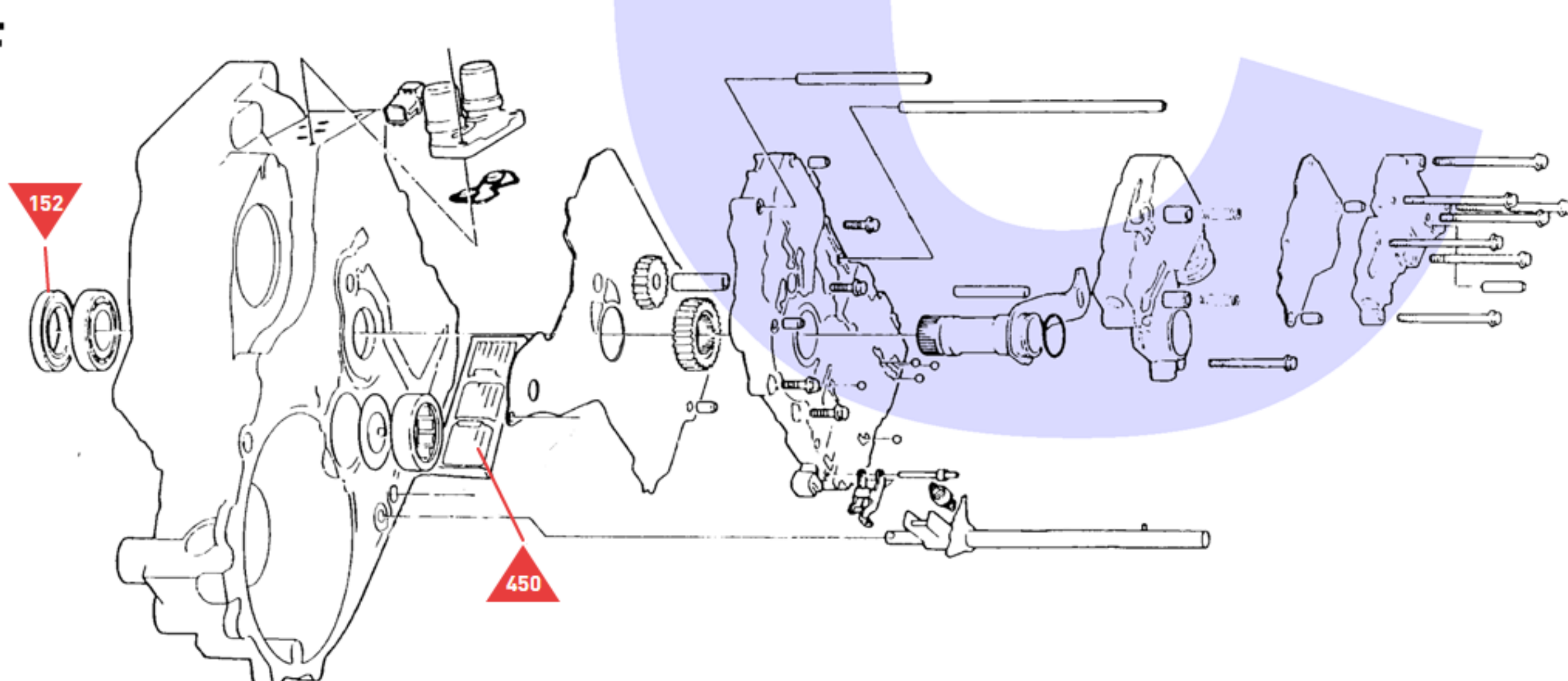


Countershaft & Third Clutch

E



F



G

