

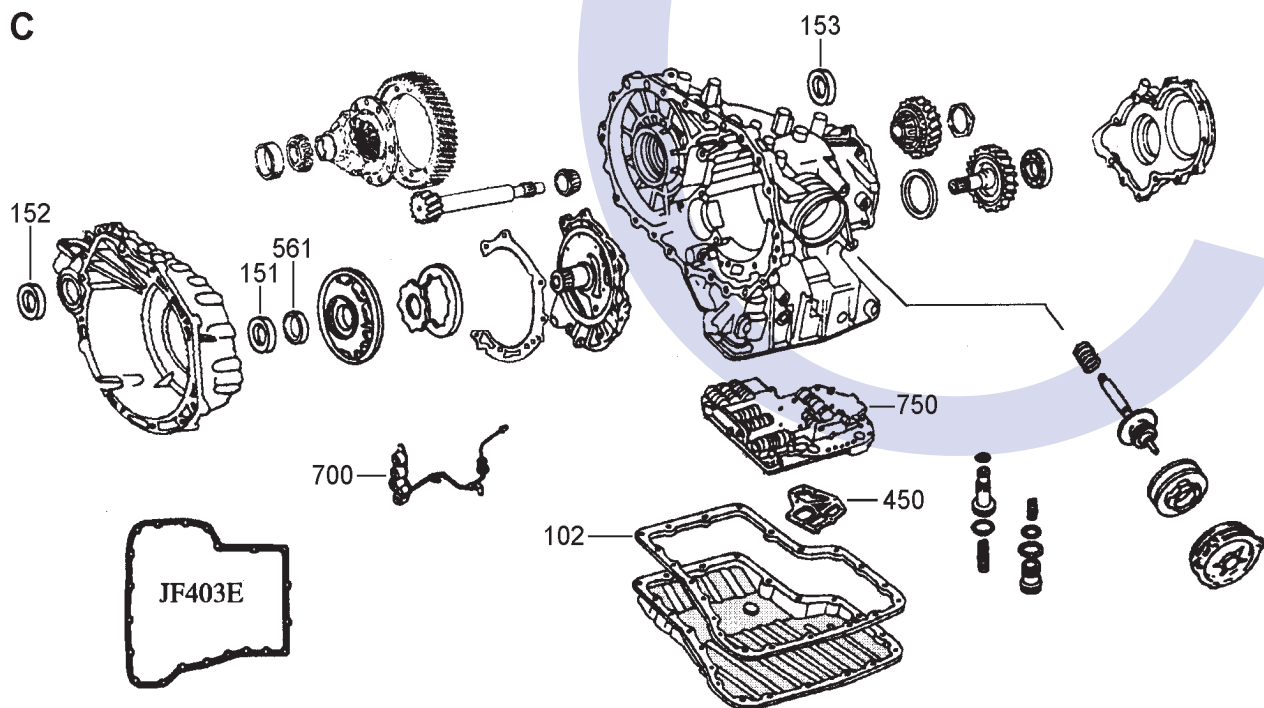
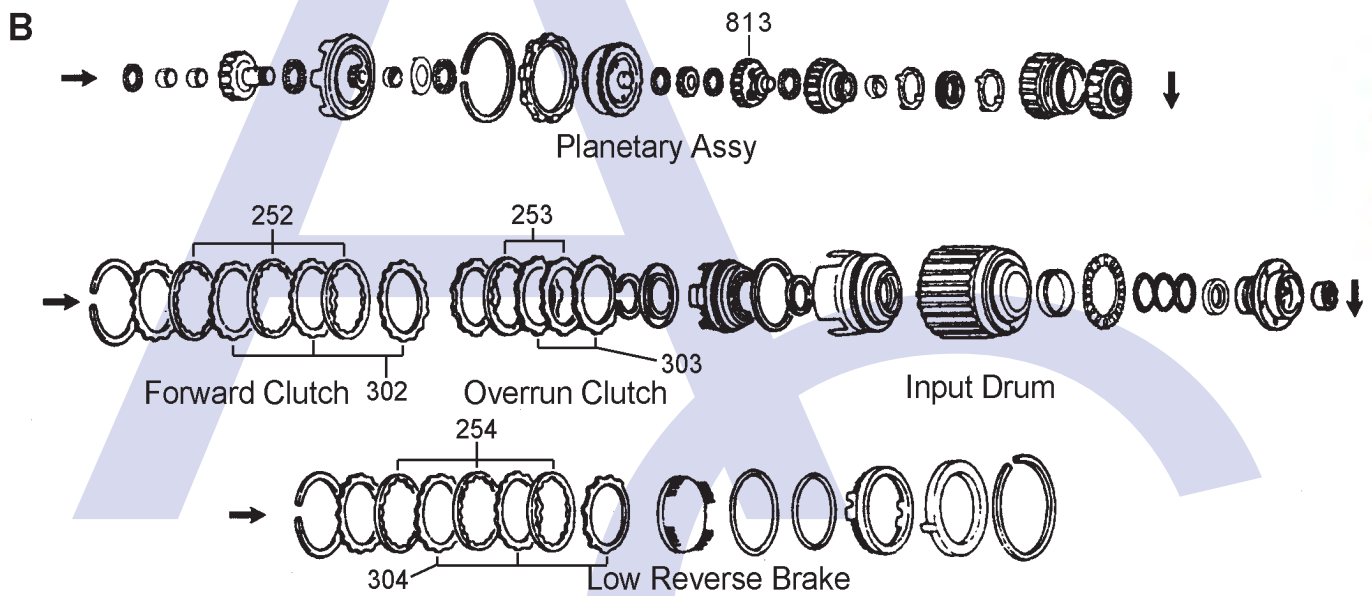
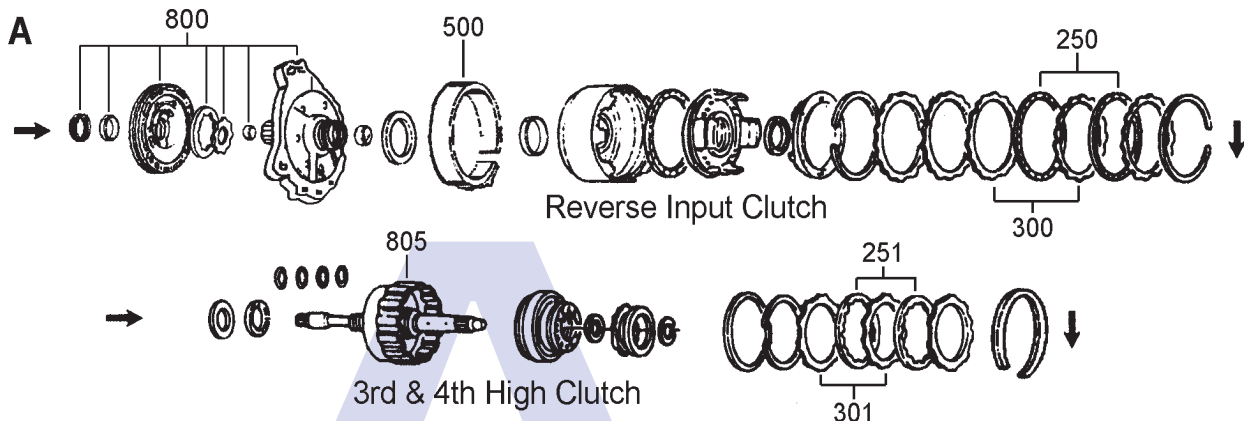
# ROVER JATCO JF403E, MAZDA LJ4AEL 4 SPEED FWD (Electronic Control)



AUTOMATIC CHOICE



THE AUTOMATIC TRANSMISSION PARTS WAREHOUSE



# ROVER JATCO JF403E, MAZDA LJ4AEL 4 SPEED FWD (Electronic Control)



AUTOMATIC CHOICE



THE AUTOMATIC TRANSMISSION PARTS WAREHOUSE

ILL NO.	DESCRIPTION	YEARS	QTY	PART NO
<b>KITS</b>				
Kit	Overhaul Kit (Transtec).....	90-ON	1	<b>RL4.OHK04</b>
Kit	Overhaul Kit (Precision) (JF403E, LJ4AEL).....	90-ON	1	<b>JF403E.OHK51</b>
<b>GASKETS</b>				
102C NI	Pan Gasket JF403 (Not Rover) Valve Body Gasket (Upper to Lower).....	90-ON	1	<b>RL4.GAS21</b> <b>RL4.GAS22</b>
<b>RUBBER COMPONENTS</b>				
<b>METAL CLAD SEALS</b>				
151C	Converter Seal JF403E.....	90-ON	1	<b>RL43.MCS01</b>
152C	Drive Shaft Right Hand (Rover JF403E).....	90-ON	1	<b>F3A.MCS02</b>
152C	Drive Shaft Right Hand (Mazda LJ4AEL).....	90-ON	1	<b>KM170.MCS02</b>
153C	Drive Shaft Left Hand (Rover JF403E).....	90-ON	1	<b>F3A.MCS02</b>
153C	Drive Shaft Left Hand (Mazda LJ4AEL).....	90-ON	1	<b>KM170.MCS02</b>
<b>SEALING RINGS</b>				
Kit	Sealing Ring Kit .....	90-ON	1	<b>RL4.SRK02</b>
<b>FRICITION PLATES</b>				
Kit	Friction Plate (Alto) (Nissan JF403E, RT77, M10) ...	95-ON	1	<b>JF403E.FRK52</b>
250A	Reverse Clutch (140mm OD x 1.60mm x 28T) ..	90-ON	2	<b>RL4.FRP20</b>
251A	High Clutch (112mm OD x 1.60mm x 20T)...	90-93	3	<b>RL4.FRP24</b>
251A	High Clutch (112mm OD x 1.60mm x 21T)...	To 6/94	4	<b>RL4.FRP21</b>
251A	High Clutch (112mm OD x 1.60mm x 24T)...	6/94-ON	4	<b>RL4.FRP23</b>
252B	Forward Clutch (137mm OD x 1.60mm x 32T) ..	90-93	4	<b>RL4.FRP25</b>
252B	Forward Clutch (137mm OD x 1.40mm x 32T) ..	94-ON	6	<b>RL4.FRP26</b>
253B	Overrun Clutch (127mm OD x 1.60mm x 20T) ..	90-ON	3	<b>RL4.FRP27</b>
254B	Low & Reverse (164mm OD x 1.65mm x 32T) ..	90-ON	7	<b>RL4.FRP28</b>
<b>STEEL PLATES</b>				
Kit	Steel Plate (Alto) (JF403E) .....	90-93	1	<b>JF403E.STK51</b>
Kit	Steel Plate (Alto) (LJ4AEL).....	95-ON	1	<b>LJ4.STK51</b>
300A	Reverse Clutch (126mm ID x 1.80mm x 30T)....	90-ON	2	<b>RL4.STP21</b>
301A	High Clutch (94mm ID x 2.20mm x 28T) .....	90-92	5	<b>RL4.STP23</b>
301A	High Clutch (94mm ID x 1.40mm x 28T) .....	94-ON	6	<b>RL4.STP22</b>
301A	High Clutch (94mm ID x 2.00mm x 28T) .....	94-ON	1	<b>RL4.STP24</b>
15B.....	Forward Clutch (126mm ID x 1.80mm x 32T)....	90-93	6	<b>RL4.STP25</b>

ILL NO.	DESCRIPTION	YEARS	QTY	PART NO
<b>STEEL PLATES Cont...</b>				
302B	Forward Clutch (126mm ID x 1.40mm x 32T) ....	94-ON	6	<b>RL4.STP26</b>
303B	Overrun Clutch (113mm ID x 1.60mm x 8T) .....	90-ON	3	<b>RL4.STP27</b>
304B	Low & Reverse (150mm ID x 1.80mm x 10T) ....	90-ON	6	<b>RL4.STP29</b>
<b>PRESSURE PLATES</b>				
<b>SPRINGS &amp; CIRCLIPS</b>				
<b>FILTERS</b>				
450C	Filter (Mazda & Rover 825).....	94-ON	1	<b>RL4.FIL21</b>
450C	Filter (Not Rover) .....	90-93	1	<b>RL4.FIL22</b>
<b>BANDS</b>				
500A	Overdrive & Second Band (40mm Wide) .....	90-ON	1	<b>RL4.BAN20</b>
500A	Overdrive & Second Band (40mm Wide Borg Warner) .....	90-ON	1	<b>RL4.BAN23</b>
<b>BUSHINGS</b>				
561C	Pump Body Bush .....	90-ON	1	<b>RL4.BUS06</b>
<b>THRUST WASHERS &amp; BEARINGS</b>				
<b>ELECTRICAL COMPONENTS</b>				
700C	Solenoid Set (5 Sols) (Not Rover Connector).....	90-ON	1	<b>RL4.SOL21</b>
700C	Solenoid Set (5 Sols) (Alternative) (Not Rover Connector).....	90-ON	1	<b>JF403E.SOL01</b>
NI	Pressure Solenoid (EPC) (Common failure and can be spliced into set) .....	90-ON	1	<b>RL4.SOL02</b>
<b>VALVE BODY PARTS</b>				
750C	Valve Body LJ4A-EL (Rebuilt)...	90-ON	1	<b>RL4.VB05</b>
<b>HARD PARTS</b>				
800A	Pump Assembly (JF403E) .....	90-ON	1	<b>RL4.PUM22</b>
805A	Drum - High Clutch W/Input Shaft (Uses 28 Tooth Steels).....	90-ON	1	<b>RL4.DRU23</b>
813B	Rear Planet 37 T Sun Gear .....	90-ON	1	<b>RL4.PL24</b>
<b>SPECIAL ITEMS</b>				
<b>TOOLS &amp; MANUALS</b>				